

CDL,CDLF

Series vertical multistage centrifugal pump



50Hz



Main office:

Add: 912, No.2000 North Zhongshan ROAD, SHANGHAI, 200062, CHINA

E-mail: infor@aikonchina.com

Website: www.aikonchina.com

SHANGHAI PUMPINGTECH INTERNATIONAL CO.,LTD



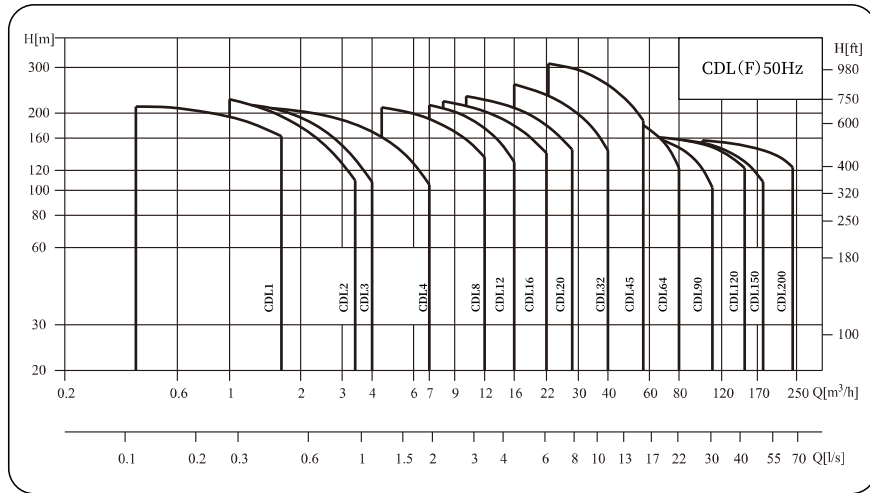
Contents

When you open each page of our catalogue It brings you not only surprise, but also trust and commitment



* CDL1/CDLF1	9
* CDL2/CDLF2	11
* CDL3/CDLF3	13
* CDL4/CDLF4	15
* CDL8/CDLF8	17
* CDL12/CDLF12	19
* CDL16/CDLF16	21
* CDL20/CDLF20	23
* CDL32/CDLF32	25
* CDL45/CDLF45	27
* CDL64/CDLF64	29
* CDL90/CDLF90	31
* CDL120/CDLF120	33
* CDL150/CDLF150	35
* CDL200/CDLF200	37

Performance Range



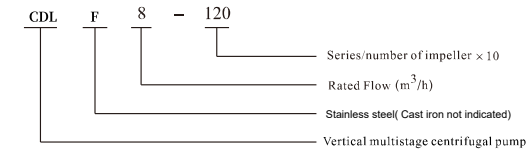
Specification

Key parameter	CDL1	CDL2	CDL3	CDL4	CDL8	CDL12	CDL16	CDL20
Rated Flow[m³/h]	1	2	3	4	8	12	16	20
Rated Flow[l/s]	0.28	0.56	0.83	1.1	2.2	3.3	4.4	5.6
Flow Range[m³/h]	0.4~1.8	1~3.5	1.2~4	1.5~7	5~12	7~16	8~22	10~28
Flow Range[l/s]	0.11~0.5	0.28~0.97	0.33~1.1	0.42~1.9	1.39~3.3	1.9~4.4	2.2~6.1	2.8~7.8
Max. Pressure[bar]	21	23	22	21	21	22	22	23
Motor Capacity[kW]	0.37~2.2	0.37~3	0.37~3	0.37~4	0.75~7.5	1.5~11	2.2~15	1.1~18.5
Temp. Range[°C]	-15~105							
Max. Efficiency[%]	44	46	54	58	62	63	66	69
Product Type								
DIN Flange	DN25	DN25	DN25	DN32	DN40	DN50	DN50	DN50
Pipe Thread	R1 1/4"	R1 1/4"	R1 1/4"	R1 1/4"	R1 2"	R1 2"	R1 2"	R1 2"
DIN Flange	DN32	DN32	DN32	DN32	DN50	DN50	DN50	DN50
CDL Pipe Connection								
DIN Flange	DN25	DN25	DN25	DN32	DN40	DN50	DN50	DN50

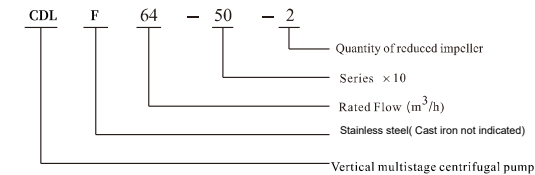
Key parameter	CDL32	CDL45	CDL64	CDL90	CDL120	CDL150	CDL200
Rated Flow[m³/h]	32	45	64	90	120	150	200
Rated Flow[l/s]	8.9	12.5	17.8	25	33.3	41.7	55.6
Flow Range[m³/h]	16~40	25~55	30~80	50~110	60~150	80~180	100~240
Flow Range[l/s]	4.4~11	6.9~15.3	8~22	14~30	17~42	22~50	28~67
Max. Pressure[bar]	26	30	22	17	16	16	16
Motor Capacity[kW]	1.5~30	3~45	4~45	5.5~45	11~75	11~75	18.5~110
Temp. Range[°C]	-15~105						
Max. Efficiency[%]	74	75	76	77	74	73	79
Pipe Connection							
DIN Flange	DN65	DN80	DN100	DN100	DN125	DN125	DN150

Model Description

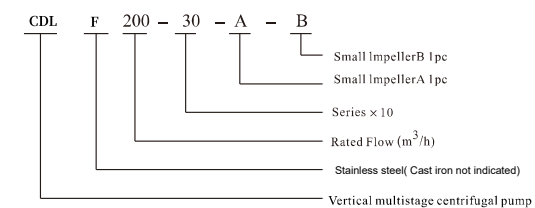
CDL,CDLF1/2/3/4/8/12/16/20



CDL,CDLF32/45/64/90/120/150



CDL,CDLF200



Typical Application

- CDL, CDLF pumps are vertical multistage centrifugal pumps, the pipeline structure can ensure that the pump can be directly installed in the pipeline system with same pipe diameter are the same and the outlet and inlet at the same level. This design of structure makes the connection from Pump to pipe more compact.
- Akion CDL, CDLF pumps have different specifications and different series, to meet the requirement of flow rate and pressure.
- CDL (F) is a kind of multi-functional pump, can transfer not only water but also various industrial liquid medium, suitable for different temperature, flow rate and pressure range.
- CDLF suitable for non-corrosive liquids, S DL is suitable for mild corrosive liquid.
- Water supply: water filtering and conveying, water partition, net pressure boosting for high-rise buildings, hotels; industrial water pressure boosting.
- Industrial boosting: process water system, cleaning system, high-pressure washing system, fire-fighting system, car cleaning.
- Industrial liquid transportation: cooling and air conditioning system, boiler feed water system and temperature system, machine mate hing.
- Delivery: oil and alcohol, acid and. alkali, ethylene glycol and coolant.
- Water treatment: UF, RO systems, distillate in systems, separator, the swimming pool.
- Irrigation: Region irrigation, sprinkler irrigation, drip irrigation.

Motor

- Totally enclosed, air-cooled secondary standard motor
- Degree of protection: IP 55
- Insulation class: F
- Standard voltage: 50Hz: 1 × 220-230/240V
3 × 200-220/346-380V
3 × 220-240/380-415V
3 × 220-255/380-440V
- Other voltage of the motor is available on request.
- Single phase motors from 0.37W-2.2KW are available on request.

Single performance curve

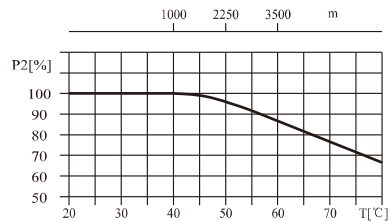
- All measure value of curves are based on the motor in a constant speed of 2900 RPM and 2950 RPM.
- Curve tolerance meets ISO9906, appendix A.
- Test with 20°C pure water(not contain water), kinematic viscosity 1mm²/s.
- Pump using referring to the performance range of thick lines, to prevent the motor from too small flow to produce overheat and too big flow to produce overload.

Instruction

- CDL(F) is non self-priming vertical multistage pump and with standard motor, motor shaft and pump shaft are connected directly by coupling, and the fit the shell and flow passage components on the between the frame and inlet & outlet seat by pull rod and nuts. The inlet and outlet are in the same level line at the bottom of the pump.
- Pump can be configured intelligent protector according the need, in order to protect pump from dry run, lack of phase, overload and so on.

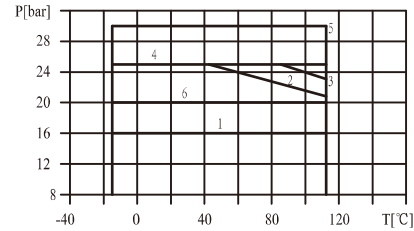
Altitude and Ambient temperature

- When pump works in the condition ambient temperature > 40°C or altitude > 1000m, the output of motor P2 will be lower, the power of motor should be bigger.



Max. Working pressure

- Below picture showing the limit of pressure and temperature, Pressure and temperature shall be in the range of showing.



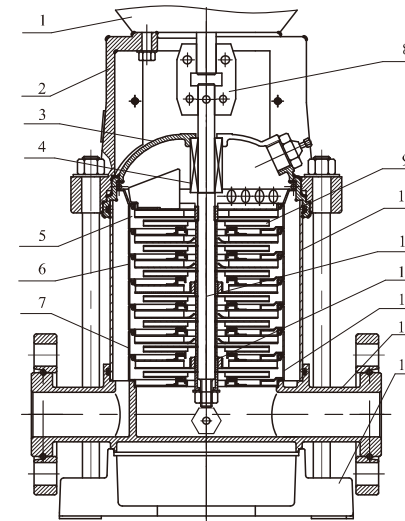
Model	Curve No.	
CDL, CDLF 1/2/3/4	2	
CDL, CDLF 8/12/16/20	3	
CDL, CDLF 32	32-10-1~32-70	1
	32-80-2~32-120	4
	32-130-2~32-160	5
CDL, CDLF 45	45-10-1~45-60	1
	45-70-2~45-90	4
	45-100-2~45-130-2	5
CDL, CDLF 64	64-10-1~64-50	1
	64-60-2~64-80-1	4
CDL, CDLF 90	90-10-1~90-50-2	1
	90-50-90-60	4
CDL, CDLF 120/150/200	6	

Note: the curve 4/5 need to customize

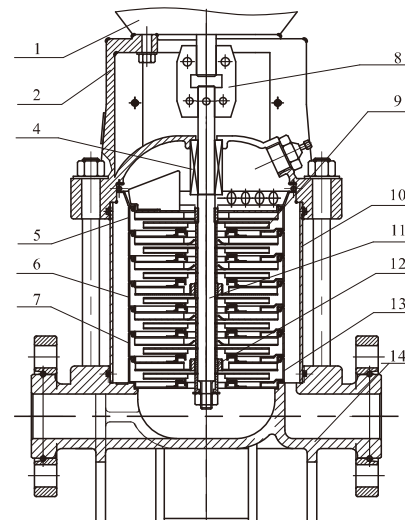
Working Condition

- Thin, clean, non-flammable and explosive and not containing solid particles or fibers liquid.
- Liquid Temperature: room temperature 15 °C, + 70 °C
Hot Water: -15 °C -- +105 °C
- Environment Temperature: Max. 40°C
- Altitude: Max. 1000m

structure chart: CDL, CDLF 1、2、3、4



CDLF

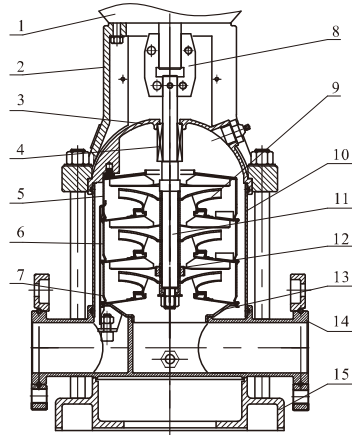


CDL

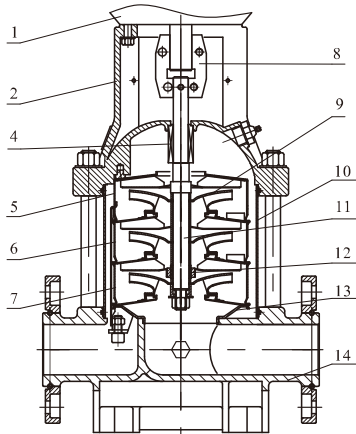
Material : CDL, CDLF 1、2、3、4

No	Description	Material	AISI/ASTM
1	Motor	Assembling unit	
2	Support	Cast Iron/ Ductile iron	ASTM25B ASTM70-50-05
4	Mechanical seal	Assembling unit	
5	Outlet guide vane	Stainless Steel	AISI304
6	Guide vane	Stainless Steel	AISI304
7	Support guide vane	Stainless Steel	AISI304
8	Coupling	Ductile iron	ASTM70-50-05
9	Impeller	Stainless Steel	AISI304
10	Shell	Stainless Steel	AISI304
11	Pump Shaft	Stainless Steel	AISI304 AISI316L
12	Bearing	Tungsten Carbide	
13	Inlet guide vane	Stainless Steel	AISI304
CDLF			
3	seal seat	Stainless Steel	AISI304
14	Inlet & outlet seat	Stainless Steel	AISI304
15	Seat	Cast Iron	ASTM25B
CDL			
14	Inlet & outlet seat	Cast Iron	ASTM25B

structure chart: CDL, CDLF 8、12、16、20 Material : CDL, CDLF 8、12、16、20



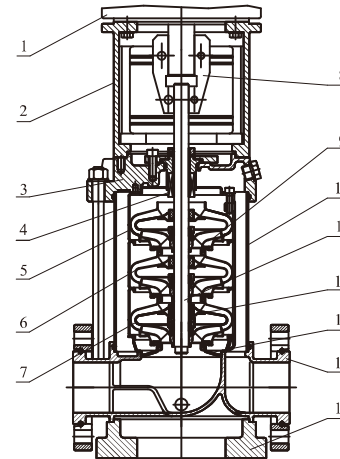
CDLF



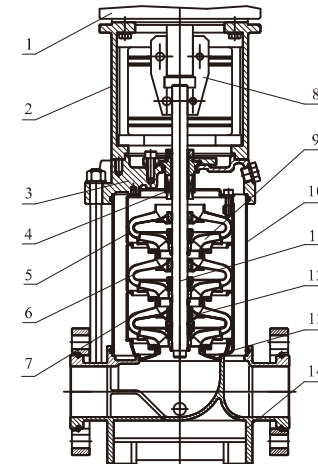
CDL

No	Description	Material	AISI/ASTM
1	Motor	Assembling unit	
2	Support	Cast Iron/ Ductile iron	ASTM25B ASTM70-50-05
4	Mechanical seal	Assembling unit	
5	Outlet guide vane	Stainless Steel	AISI304
6	Guide vane	Stainless Steel	AISI304
7	Support guide vane	Stainless Steel	AISI304
8	Coupling	Ductile iron	ASTM70-50-05
9	Impeller	Stainless Steel	AISI304
10	Shell	Stainless Steel	AISI304
11	Pump Shaft	Stainless Steel	AISI304 AISI316L
12	Bearing	Tungsten Carbide	
13	Inlet guide vane	Stainless Steel	AISI304
CDLF			
3	seal seat	Stainless Steel	AISI304
14	Inlet & outlet seat	Stainless Steel	AISI304
15	Seat	Cast Iron	ASTM25B
CDL			
14	Inlet & outlet seat	Cast Iron	ASTM25B

structure chart: CDL, CDLF 32、45、64、90 Material : CDL, CDLF 32、45、64、90



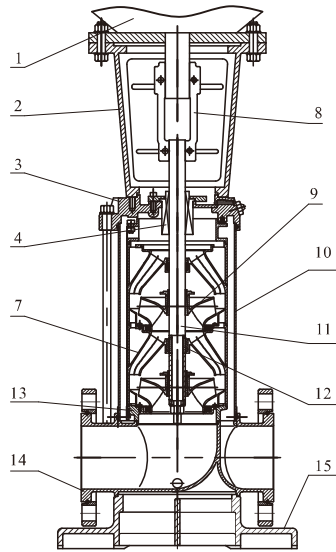
CDLF



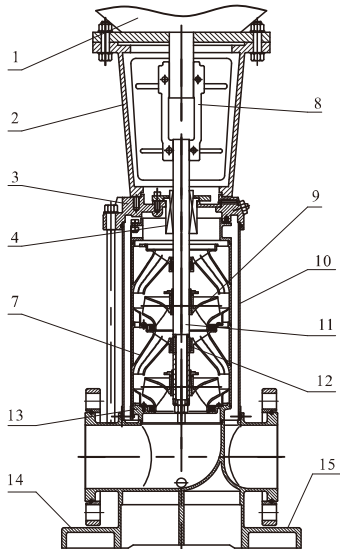
CDL

No	Description	Material	AISI/ASTM
1	Motor	Assembling unit	
2	Support	Cast Iron/ Ductile iron	ASTM25B
4	Mechanical seal	Assembling unit	
5	Outlet guide vane	Stainless Steel	AISI304
6	Guide vane	Stainless Steel	AISI304
7	Support guide vane	Stainless Steel	AISI304
8	Coupling	Ductile iron	ASTM70-50-05
9	Impeller	Stainless Steel	AISI304
10	Shell	Stainless Steel	AISI304
11	Pump Shaft	Stainless Steel	AISI304 AISI316L AISI431
12	Bearing	Tungsten Carbide	
13	Inlet guide vane	Stainless Steel	AISI304
CDLF			
3	seal seat	Stainless Steel	AISI304
14	Inlet & outlet seat	Stainless Steel	AISI304
15	Seat	Cast Iron	ASTM25B
CDL			
3	seal seat	Cast Iron/ Ductile iron	ASTM25B ASTM70-50-05
14	Inlet & outlet seat	Cast Iron/ Ductile iron	ASTM25B ASTM70-50-05

structure chart: CDL, CDLF120、150、200 Material : CDL, CDLF 120、150、200



CDLF



CDL

No	Description	Material	AISI/ASTM
1	Motor	Assembling unit	
2	Frame	Cast Iron/Ductile iron	ASTM25B ASTM70-50-05
4	Seal	Assembling unit	
7	Support guide vane	Stainless Steel	AISI304
8	Coupling	Ductile iron	ASTM7-50-05
9	Impeller	Stainless Steel	AISI304
10	Shell	Stainless Steel	AISI304
11	Pump Shaft	Stainless Steel	AISI304 AISI316L AISI431
12	Bearing	Tungsten Carbide	
13	Inlet guide vane	Stainless Steel	AISI304
15	Seat	Ductile iron	ASTM70-50-05
CDLF			
3	seal seat	Stainless Steel	AISI304
14	Inlet & outlet seat	Stainless Steel	AISI304
CDL			
3	seal seat	Ductile iron	ASTM70-50-05
14	Inlet & outlet seat	Cast Iron/Ductile iron	ASTM25B ASTM7-50-05

Min. Inlet Pressure NPSH

If pump pressure is lower than the transferring vapour pressure, cavitation can occur. Make sure there is a minimum vapour pressure at the pump suction side, the maximum suction H [m] can be calculated by the following formula:

$$H = P_b \times 10.2 - NPSH - H_f - H_v - H_s$$

P_b = Atmospheric pressure
(Atmospheric pressure can be set to 1 bar)

For the closed system, P_b is system pressure.

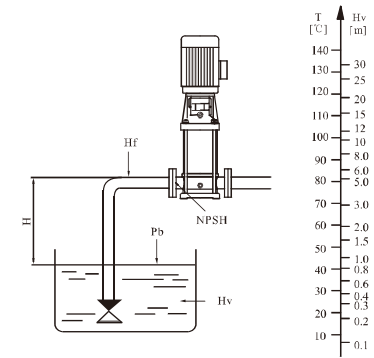
$NPSH$ = net positive suction head [m]
(Can read from the Max. flow range of the curve)
 H_f = Entrance Line loss [m]

H_v = vapour pressure [m]

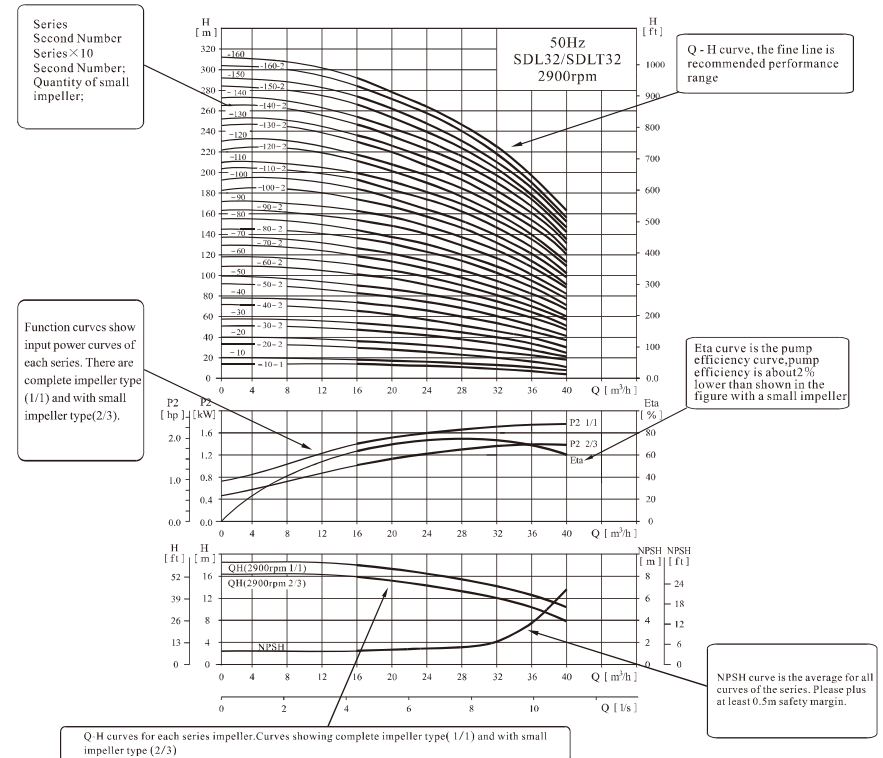
H_s : Safety margin = minimum 0.5 m head

Calculated H is positive, the pump can be run in the condition of Max. suction.

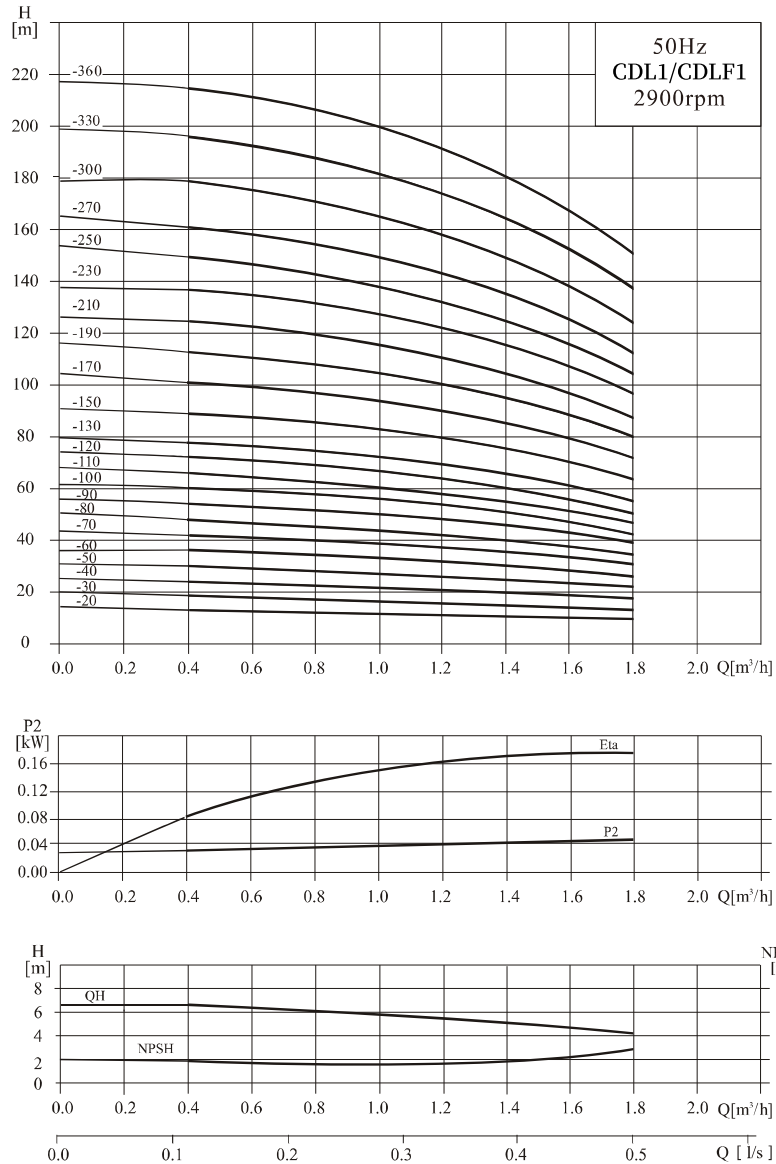
Calculated H is negative, There must be a minimum inlet pressure of water head



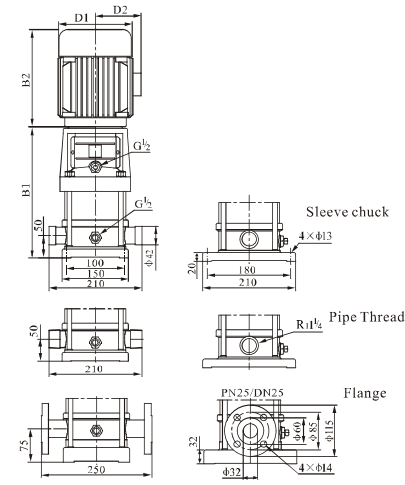
Check to ensure that the pump will be not in cavitation.



Performance Curves



Installation drawing



Size & Weight

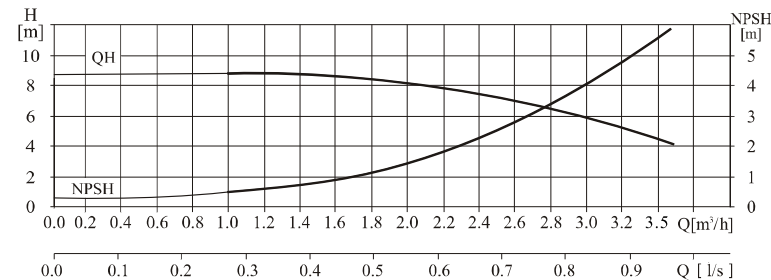
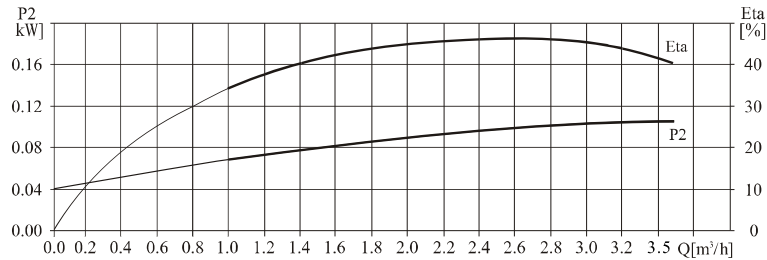
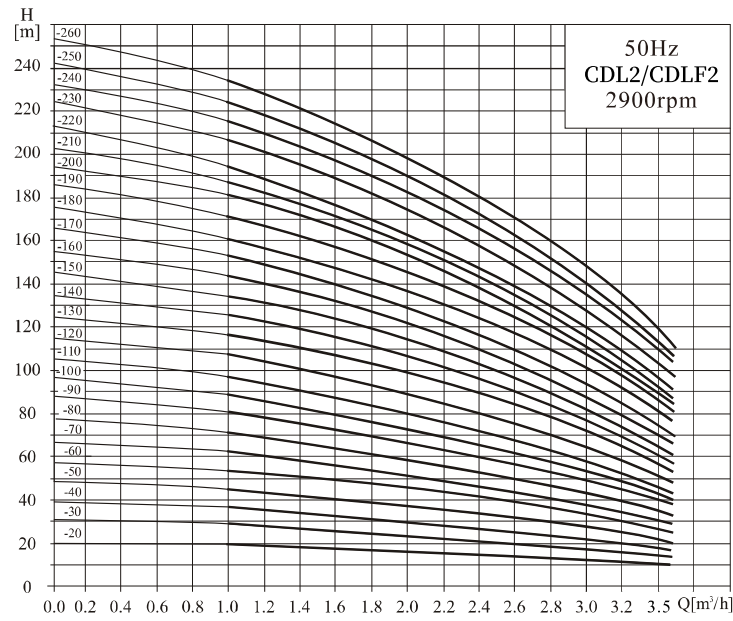
Model	Size (mm)					Weight (kg)
	B1	B2	B1+B2	D1	D2	
CDL1-20	258	225	483	148	117	20
CDL1-30	276	225	501	148	117	20
CDL1-40	294	225	519	148	117	21
CDL1-50	312	225	537	148	117	21
CDL1-60	330	225	555	148	117	22
CDL1-70	348	225	573	148	117	23
CDL1-80	366	225	591	148	117	24
CDL1-90	384	225	609	148	117	25
CDL1-100	402	225	627	148	117	26
CDL1-110	420	225	645	148	117	26
CDL1-120	448	245	693	170	142	29
CDL1-130	466	245	711	170	142	30
CDL1-150	502	245	747	170	142	31
CDL1-170	538	245	783	170	142	33
CDL1-190	574	245	819	170	142	34
CDL1-210	610	245	855	170	142	35
CDL1-230	646	245	891	170	142	36
CDL1-250	692	290	982	190	155	42
CDL1-270	728	290	1018	190	155	43
CDL1-300	782	290	1072	190	155	45
CDL1-330	836	290	1126	190	155	49
CDL1-360	890	290	1180	190	155	51

Performance table

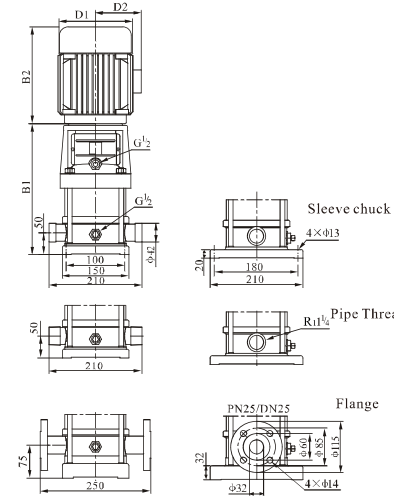
Model	Associated motor(kW)	Q (m³/h)	H (m)								
			0.4	0.6	0.8	1.0	1.2	1.4	1.6	1.8	
CDL1-20	0.37	13	12.5	12	11.5	11	10.5	10	9.5		
CDL1-30	0.37	19	18	17.5	17	16.5	16	15	14		
CDL1-40	0.37	24	23.5	23	22.5	21.5	21	19	18		
CDL1-50	0.37	30	29.6	29	28	27	26	24	22		
CDL1-60	0.37	36	35.5	35	33.5	33	31	28	26		
CDL1-70	0.37	42	41	40.5	39	38	36	33	30		
CDL1-80	0.55	48	47	46	45	43	41	38	34		
CDL1-90	0.55	54	53	52	51	49	46	43	39		
CDL1-100	0.55	60	59	58	57	54	51	48	43		
CDL1-110	0.55	66	65	63	61	59	56	52	47		
CDL1-120	0.75	72	71	69	67	64	61	57	51		
CDL1-130	0.75	78	77	75	73	69	66	62	55		
CDL1-150	0.75	89	88	86	84	79	76	71	63		
CDL1-170	1.1	101	99	97	95	89	86	80	71		
CDL1-190	1.1	113	110	108	106	99	96	89	79		
CDL1-210	1.1	124	122	120	117	110	106	98	87		
CDL1-230	1.1	137	133	131	128	121	116	107	96		
CDL1-250	1.5	149	145	143	139	131	126	116	104		
CDL1-270	1.5	161	157	155	150	141	136	125	112		
CDL1-300	1.5	178	175	171	166	157	150	139	124		
CDL1-330	2.2	196	192	188	183	173	165	154	137		
CDL1-360	2.2	214	210	205	200	190	181	169	151		

Size and appearance of Single phase motors, explosion-proof motor are different, please contact our company.

Performance Curves



Installation drawing



Size & Weight

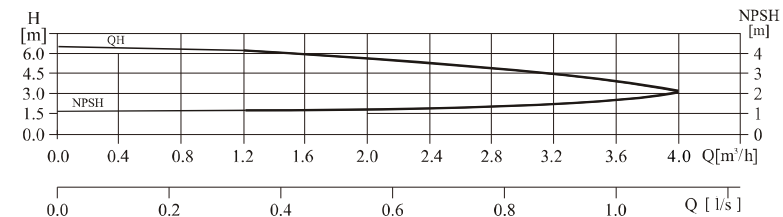
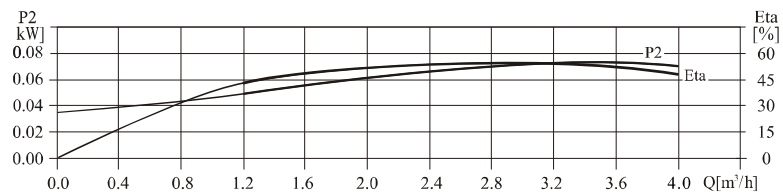
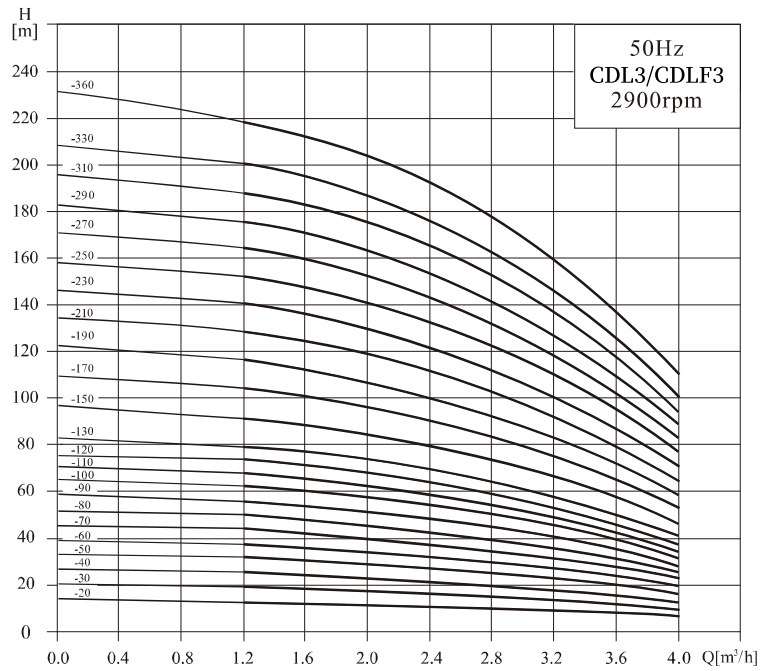
Model	Size (mm)					Weight (kg)
	B1	B2	B1+B2	D1	D2	
CDL2-20	258	225	483	148	117	20
CDL2-30	276	225	501	148	117	20
CDL2-40	294	225	519	148	117	22
CDL2-50	312	225	537	148	117	23
CDL2-60	340	245	585	170	142	26
CDL2-70	358	245	603	170	142	26
CDL2-90	394	245	639	170	142	28
CDL2-110	430	245	675	170	142	29
CDL2-130	476	290	766	190	155	35
CDL2-150	512	290	802	190	155	36
CDL2-180	566	290	856	190	155	41
CDL2-220	638	290	928	190	155	42
CDL2-260	720	345	1065	197	165	52

Performance table

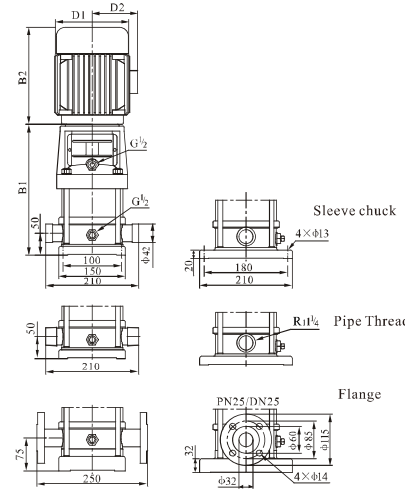
型号	Associated motor(kW)	Q (m³/h)	H (m)													
			1	1.2	1.6	2.0	2.4	2.8	3.2	3.5						
CDL2-20	0.37	H (m)	18	17	16	15	13	12	10	8						
CDL2-30	0.37		27	26	24	22	20	18	15	12						
CDL2-40	0.55		36	35	33	30	26	24	20	16						
CDL2-50	0.55		45	43	40	37	33	30	24	20						
CDL2-60	0.75		53	52	50	45	40	36	30	24						
CDL2-70	0.75		63	61	57	52	47	41	35	28						
CDL2-90	1.1		80	78	73	67	61	54	45	37						
CDL2-110	1.1		98	95	89	82	73	64	54	44						
CDL2-130	1.5		116	114	106	98	89	78	65	52						
CDL2-150	1.5		134	130	123	112	100	90	73	60						
CDL2-180	2.2		161	157	148	136	121	108	91	76						
CDL2-220	2.2		197	192	180	165	148	130	110	90						
CDL2-260	3.0	232	228	214	198	179	158	130	110							

Size and appearance of Single phase motors, explosion-proof motor are different, please contact our company.

Performance Curves



Installation drawing



Size & Weight

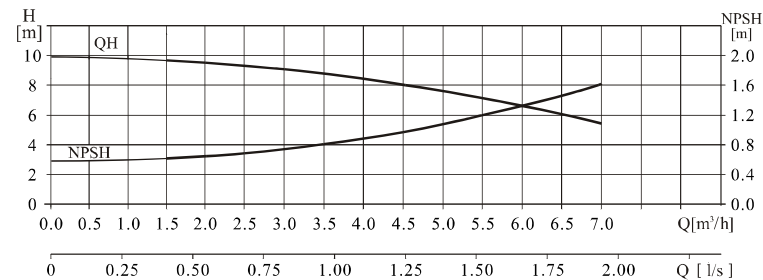
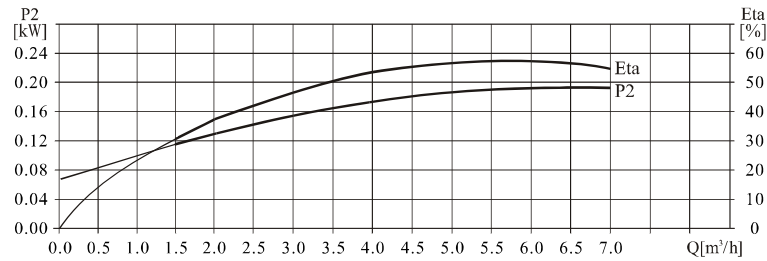
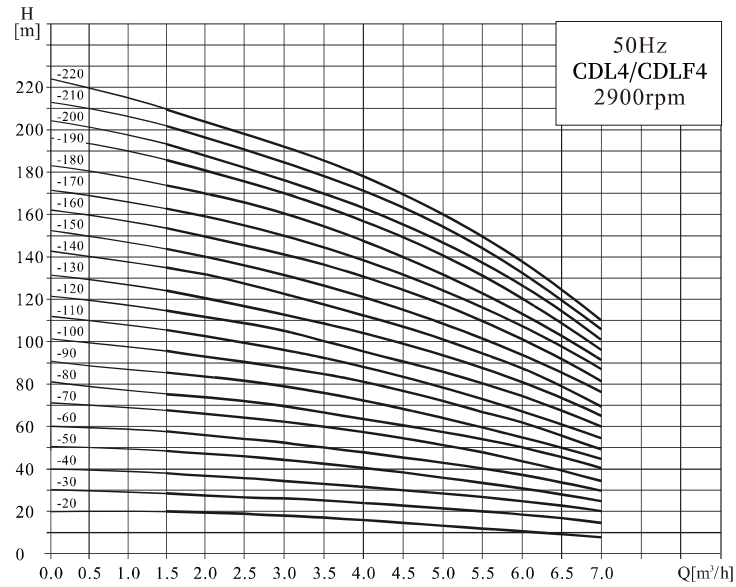
Model	Size (mm)					Weight(kg)
	B1	B2	B1+B2	D1	D2	
CDL3-20	258	225	483	148	117	20
CDL3-30	276	225	501	148	117	20
CDL3-40	294	225	519	148	117	21
CDL3-50	312	225	537	148	117	21
CDL3-60	330	225	555	148	117	23
CDL3-70	348	225	573	148	117	24
CDL3-80	376	245	621	170	142	27
CDL3-90	394	245	639	170	142	28
CDL3-100	412	245	657	170	142	28
CDL3-110	430	245	675	170	142	29
CDL3-120	448	245	693	170	142	30
CDL3-130	466	245	711	170	142	31
CDL3-150	502	245	747	170	142	32
CDL3-170	548	290	838	190	155	38
CDL3-190	584	290	874	190	155	39
CDL3-210	620	290	910	190	155	42
CDL3-230	656	290	946	190	155	43
CDL3-250	692	290	982	190	155	44
CDL3-270	728	290	1018	190	155	45
CDL3-290	764	290	1054	190	155	46
CDL3-310	810	345	1155	197	165	54
CDL3-330	846	345	1191	197	165	55
CDL3-360	900	345	1245	197	165	57

Performance table

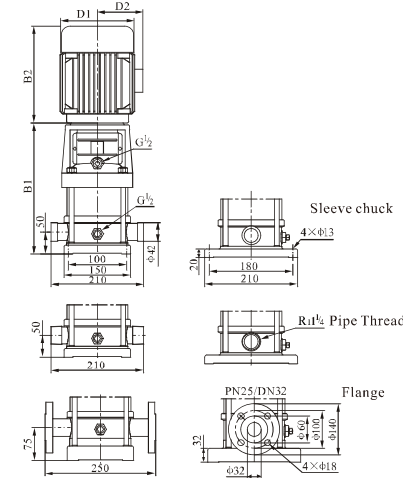
Model	Associated motor(kW)	Q (m³/h)	H (m)												
			1.2	1.6	2.0	2.4	2.8	3.0	3.2	3.6	4.0				
CDL3-20	0.37	12.5	11.5	11	10.5	10	9	8	7	6					
CDL3-30	0.37	19	18.5	17.5	16.5	15	14	13	11	9					
CDL3-40	0.37	25	24	23	21.5	20	19	18	15	12					
CDL3-50	0.37	31	30	29	27	25	23	22	19	16					
CDL3-60	0.55	36	35	34	32	30	28	27	23	19					
CDL3-70	0.55	43	41	39	37	34	32	31	27	22					
CDL3-80	0.75	49	47	45	43	39	37	35	31	25					
CDL3-90	0.75	55	53	51	48	45	42	40	35	28					
CDL3-100	0.75	61	59	57	54	50	47	45	39	31					
CDL3-110	1.1	67	64	61	58	54	51	49	42	34					
CDL3-120	1.1	73	70	67	63	58	55	52	45	37					
CDL3-130	1.1	78	76	73	69	64	60	57	49	40					
CDL3-150	1.1	90	88	84	79	73	69	66	57	46					
CDL3-170	1.5	103	100	96	90	83	79	75	64	52					
CDL3-190	1.5	115	112	107	100	92	88	83	72	58					
CDL3-210	2.2	128	124	119	112	102	98	91	79	64					
CDL3-230	2.2	140	135	130	122	112	107	100	86	70					
CDL3-250	2.2	151	147	141	131	122	116	109	94	76					
CDL3-270	2.2	164	159	152	143	132	124	117	101	82					
CDL3-290	2.2	175	170	163	153	142	133	126	109	88					
CDL3-310	3.0	187	182	175	165	153	142	135	116	94					
CDL3-330	3.0	199	194	187	176	163	151	145	125	100					
CDL3-360	3.0	218	212	204	192	178	168	159	137	109					

Size and appearance of Single phase motors, explosion-proof motor are different, please contact our company.

Performance Curves



Installation drawing



Size & Weight

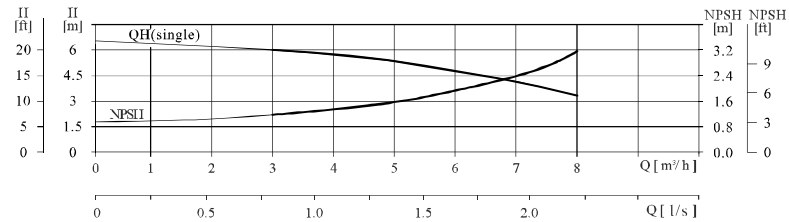
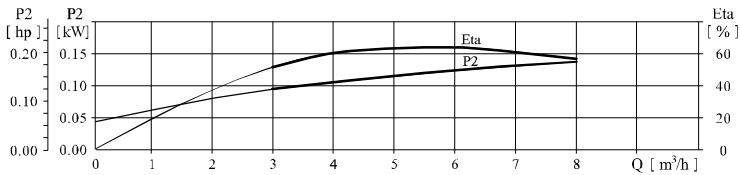
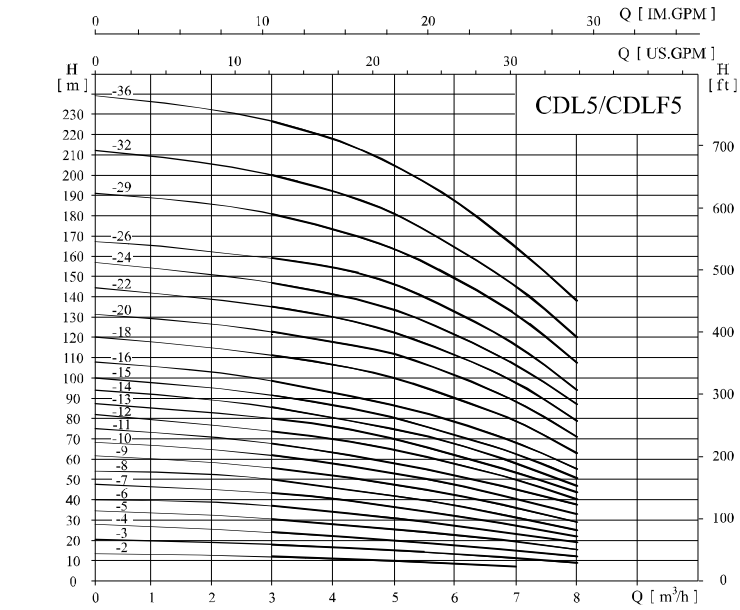
Model	Size (mm)					Weight (kg)
	B1	B2	B1+B2	D1	D2	
CDL4-20	276	225	501	148	117	21
CDL4-30	303	225	528	148	117	22
CDL4-40	340	245	585	170	142	25
CDL4-50	367	245	612	170	142	27
CDL4-60	394	245	639	170	142	27
CDL4-70	431	290	721	190	155	33
CDL4-80	458	290	748	190	155	33
CDL4-100	512	290	802	190	155	37
CDL4-120	566	290	856	190	155	38
CDL4-140	630	345	975	197	165	46
CDL4-160	684	345	1029	197	165	48
CDL4-190	765	355	1120	230	188	57
CDL4-220	846	355	1201	230	188	59

Performance table

Model	Associated motor (kW)	Q (m³/h)	H (m)						
			1.5	2.0	3.0	4.0	5.0	6.0	7.0
CDL4-20	0.37	H (m)	19	18	17	15	13	10	8
CDL4-30	0.55		28	27	26	24	20	18	13
CDL4-40	0.75		38	36	34	32	27	24	19
CDL4-50	1.1		47	45	43	40	34	31	23
CDL4-60	1.1		56	54	52	48	41	37	28
CDL4-70	1.5		66	63	61	56	48	43	33
CDL4-80	1.5		74	72	70	64	55	50	38
CDL4-100	2.2		96	90	87	81	71	62	48
CDL4-120	2.2		114	108	104	95	85	75	58
CDL4-140	3.0		136	126	122	112	101	89	68
CDL4-160	3.0		152	144	140	129	115	101	78
CDL4-190	4.0		183	171	168	153	137	122	93
CDL4-220	4.0		211	200	192	178	160	138	108

Size and appearance of Single phase motors, explosion-proof motor are different, please contact our company.

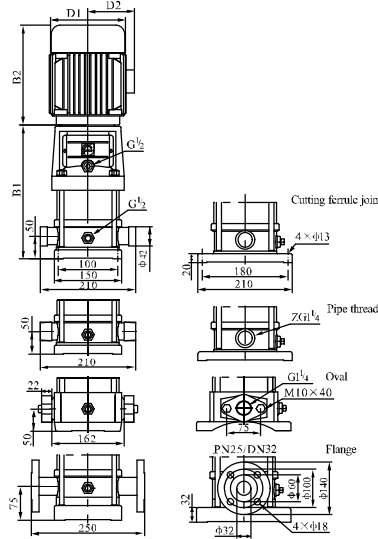
Performance curve ISO9906 Annex A 2900rpm



Performance table

Model	Driving motor		Q (m³/h)	3	4	5	6	7	8
	(kW)	(hp)							
CDL5-2	0.37	0.5	H (m)	12	11	10	9	7	
CDL5-3	0.55	0.75		18	17	15	14	11	9
CDL5-4	0.55	0.75		24	22	20	18	15	12
CDL5-5	0.75	1		31	28	26	23	19	16
CDL5-6	1.1	1.5		37	35	32	27	23	19
CDL5-7	1.1	1.5		43	41	37	33	27	22
CDL5-8	1.1	1.5		50	47	43	38	32	25
CDL5-9	1.5	2		56	53	48	43	37	29
CDL5-10	1.5	2		62	59	54	48	41	34
CDL5-11	2.2	3		68	64	59	53	46	38
CDL5-12	2.2	3		74	70	65	58	50	41
CDL5-13	2.2	3		80	76	70	62	54	44
CDL5-14	2.2	3		86	81	75	68	58	47
CDL5-15	2.2	3		92	87	81	73	63	51
CDL5-16	2.2	3		99	93	87	79	69	55
CDL5-18	3.0	4		111	106	100	90	79	63
CDL5-20	3.0	4		123	118	112	102	89	71
CDL5-22	4.0	5.5		135	130	123	112	99	79
CDL5-24	4.0	5.5		147	142	134	122	107	87
CDL5-26	4.0	5.5		159	155	146	133	116	94
CDL5-29	4.0	5.5		181	174	164	149	131	107
CDL5-32	5.5	7.5		200	193	181	164	145	120
CDL5-36	5.5	7.5		227	219	205	188	165	138

Installation sketch

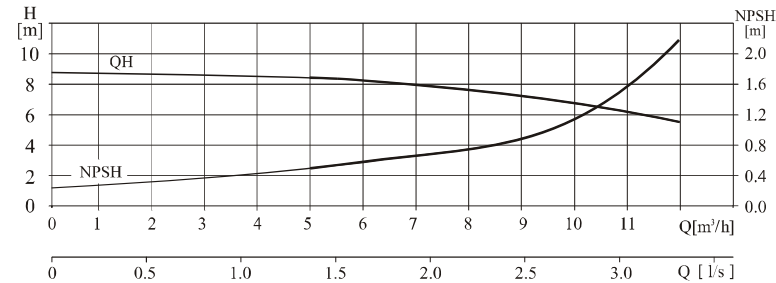
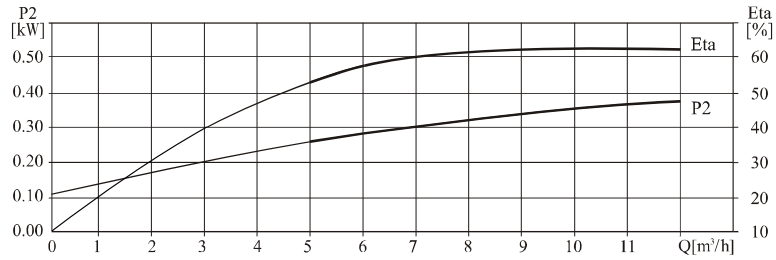
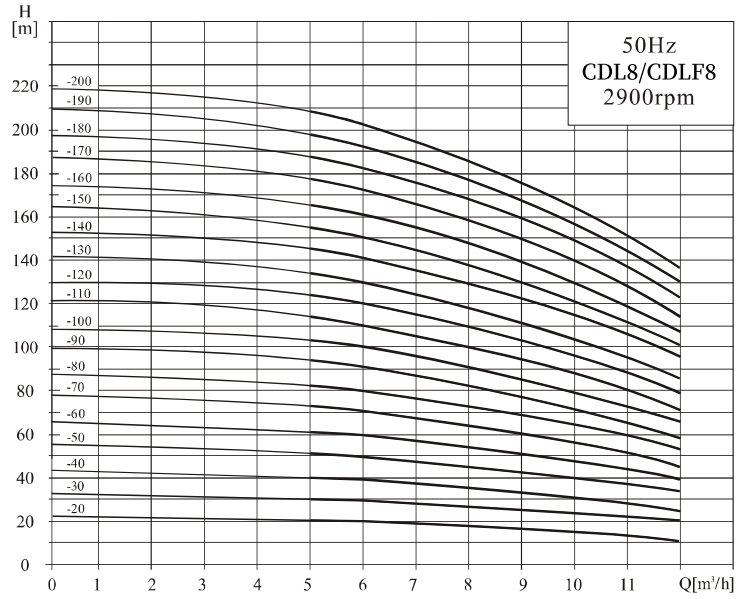


Size and weight

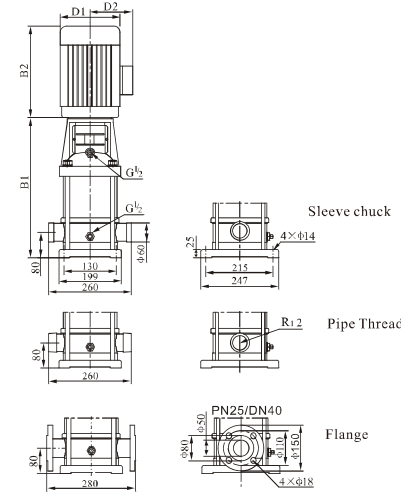
Model	Size (mm)					Weight (kg)
	B1	B2	B1+B2	D1	D2	
CDL5-2	276	225	501	148	117	26
CDL5-3	303	225	528	148	117	27
CDL5-4	330	225	555	148	117	27
CDL5-5	367	245	612	170	142	28
CDL5-6	394	245	639	170	142	29
CDL5-7	421	245	666	170	142	29
CDL5-8	448	245	693	170	142	30
CDL5-9	485	290	775	190	155	35
CDL5-10	512	290	802	190	155	36
CDL5-11	539	290	829	190	155	40
CDL5-12	566	290	856	190	155	41
CDL5-13	593	290	883	190	155	41
CDL5-14	620	290	910	190	155	42
CDL5-15	647	290	937	190	155	42
CDL5-16	684	290	974	190	155	43
CDL5-18	738	345	1083	197	165	50
CDL5-20	782	345	1127	197	165	51
CDL5-22	846	355	1201	230	188	59
CDL5-24	900	355	1255	230	188	60
CDL5-26	954	355	1309	230	188	61
CDL5-29	1035	355	1390	230	188	63
CDL5-32	1136	390	1526	260	208	85
CDL5-36	1244	390	1634	260	208	87

CDL5-26-5-36 sub-connection of pipeline has no oval flange connection.
The overall dimensions of the single-phase motor and explosion-proof motor are a little different. Pls contact us for details.

Performance Curves



Installation drawing



Size & Weight

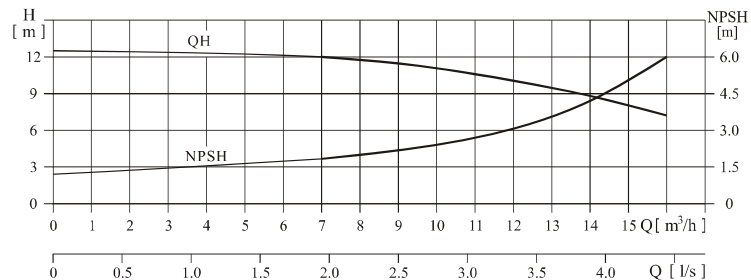
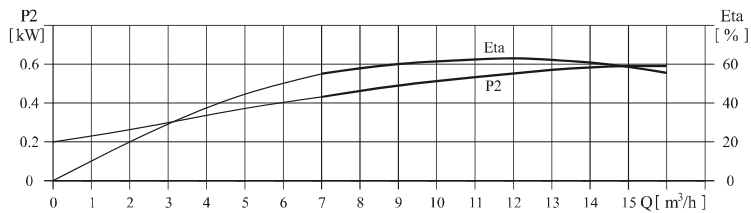
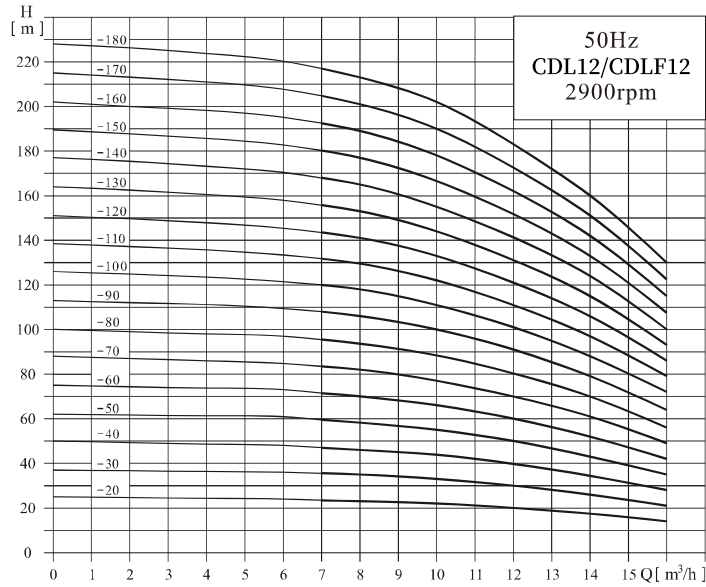
Model	Size (mm)					Weight (kg)
	B1	B2	B1+B2	D1	D2	
CDL8-20	347	245	592	170	142	32
CDL8-30	377	245	622	170	142	34
CDL8-40	417	290	707	190	155	40
CDL8-50	447	290	737	190	155	44
CDL8-60	477	290	767	190	155	45
CDL8-80	547	345	892	197	165	53
CDL8-100	607	355	962	230	188	64
CDL8-120	667	355	1022	230	188	66
CDL8-140	747	390	1137	260	208	81
CDL8-160	807	390	1197	260	208	84
CDL8-180	867	390	1257	260	208	93
CDL8-200	927	390	1317	260	208	94

Performance table

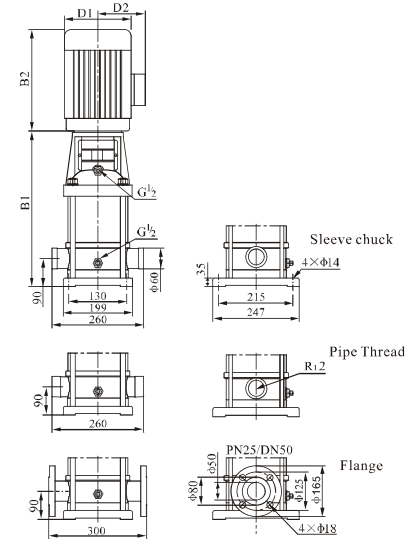
Model	Associated motor (kW)	Q (m³/h)	5	6	7	8	9	10	11	12
CDL8-20	0.75	H (m)	20	19.5	19	18	17	16	14	13
CDL8-30	1.1		30	29.5	28.5	27	25	24	21	19
CDL8-40	1.5		41	39.5	38	36	34	32	28	26
CDL8-50	2.2		52	50	48	45	42	40	36	32
CDL8-60	2.2		62	60	57	54	51	48	43	39
CDL8-80	3.0		83	80	77	73	69	65	58	52
CDL8-100	4.0		104	100	97	92	87	81	73	65
CDL8-120	4.0		124	120	116	111	104	92	87	78
CDL8-140	5.5		145	141	136	130	122	113	102	92
CDL8-160	5.5		166	161	156	148	139	130	118	106
CDL8-180	7.5		187	182	175	167	157	146	134	120
CDL8-200	7.5		208	202	195	186	175	163	150	135

Size and appearance of Single phase motors, explosion-proof motor are different, please contact our company.

Performance Curves



Installation drawing



Size & Weight

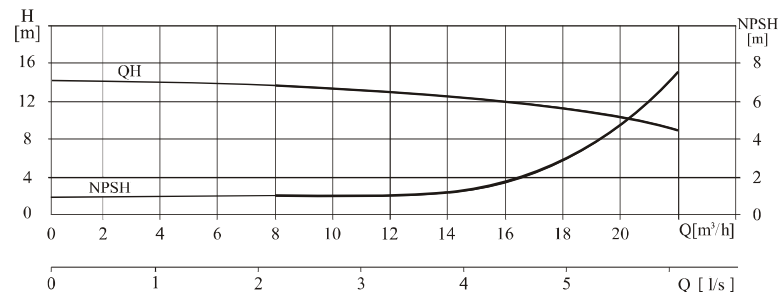
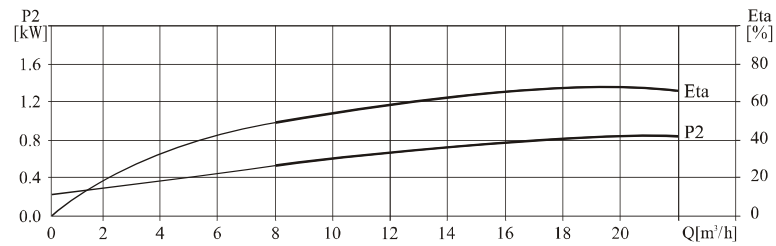
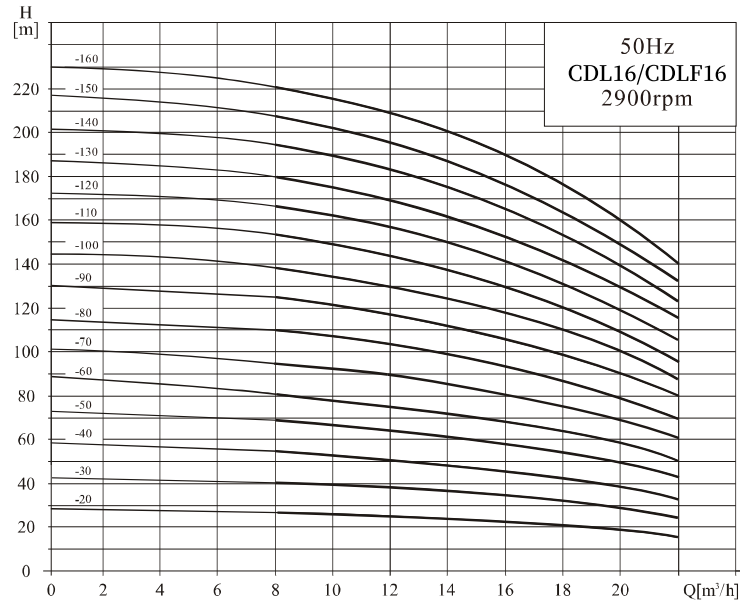
Model	Size (mm)					Weight (kg)
	B1	B2	B1+B2	D1	D2	
CDL 12-20	367	290	657	190	155	39
CDL 12-30	397	290	687	190	155	43
CDL12-40	437	345	782	197	165	51
CDL12-50	467	345	812	197	165	53
CDL12-60	497	355	852	230	188	61
CDL12-70	547	390	937	260	208	73
CDL12-80	577	390	967	260	208	74
CDL 12-90	607	390	997	260	208	76
CDL12-100	637	390	1027	260	208	83
CDL12-120	697	390	1087	260	208	87
CDL 12-140	757	390	1147	260	208	108
CDL 12-160	905	500	1405	330	255	161
CDL 12-180	965	500	1465	330	255	164

Performance table

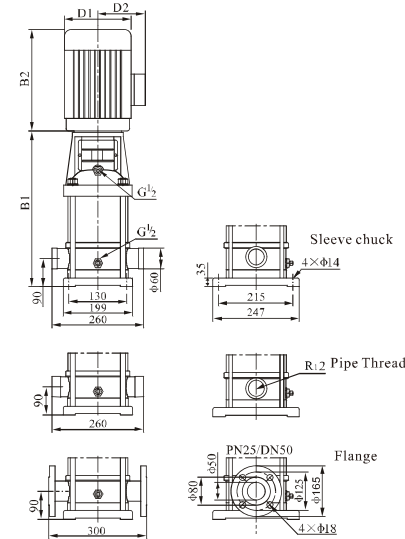
Model	Associated motor(kW)	Q (m³/h)	H (m)										
			7	8	9	10	11	12	13	14	15	16	
CDL 12-20	1.5		23.5	23	22.5	22	21	20	18.5	17	15.5	14	
CDL 12-30	2.2		35.5	35	34	33	31.5	30	28	26	23.5	21	
CDL12-40	3		47	46	45	44	42	40	37	34	31	28	
CDL12-50	3		59.5	58	56.5	55	52.5	50	46.5	43	39	35	
CDL12-60	4		71.5	70	68	66	63	60	56	52	47	42	
CDL12-70	5.5		83.5	82	79.5	77	73.5	70	65.5	61	55	49	
CDL12-80	5.5		95.5	94	91	88	84	80	75	70	63	56	
CDL 12-90	5.5		108	106	103	100	95.5	91	85	79	71.5	64	
CDL12-100	7.5		120	118	114.5	111	106	101	94.5	88	80	72	
CDL12-120	7.5		143.5	141	137	133	127	121	113.5	106	96	86	
CDL 12-140	9.2		168	165	160	155	148	141	132.5	124	112	100	
CDL 12-160	11		192.5	189	183.5	178	170	162	152	142	128.5	115	
CDL 12-180	11		217	213	207.5	202	192.5	183	171.5	160	145	130	

Size and appearance of Single phase motors, explosion-proof motor are different, please contact our company.

Performance Curves



Installation drawing



Size & Weight

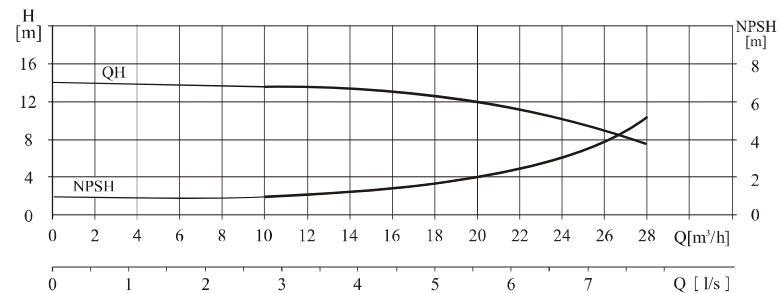
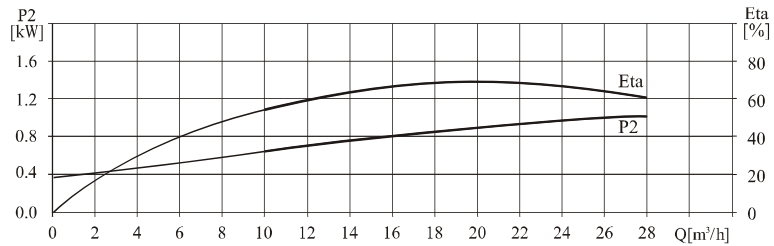
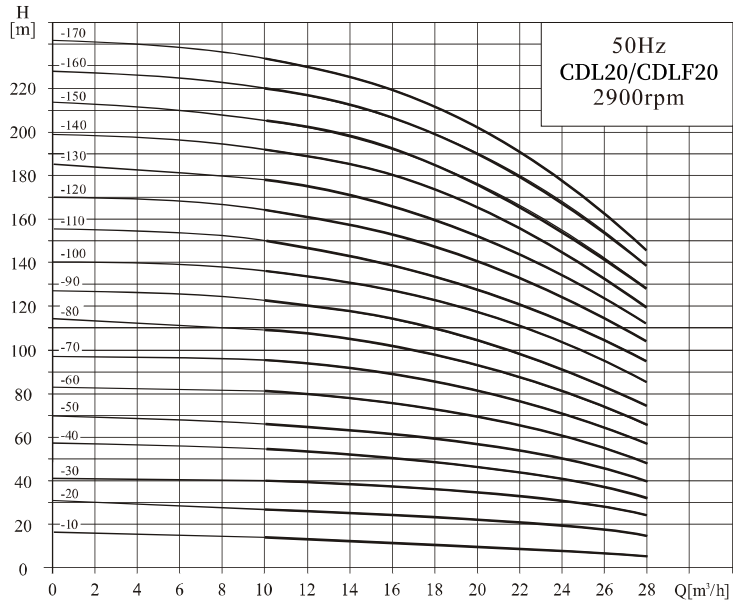
Model	Size (mm)					Weight (kg)
	B1	B2	B1+B2	D1	D2	
CDL16-20	397	290	687	190	155	42
CDL16-30	452	345	797	197	165	50
CDL16-40	497	355	852	230	188	59
CDL16-50	562	390	952	260	208	76
CDL16-60	607	390	997	260	208	77
CDL16-70	652	390	1042	260	208	84
CDL16-80	697	390	1087	260	208	86
CDL16-100	787	390	1177	260	208	106
CDL16-120	965	500	1465	330	255	161
CDL16-140	1055	500	1555	330	255	174
CDL16-160	1145	500	1645	330	255	178

Performance table

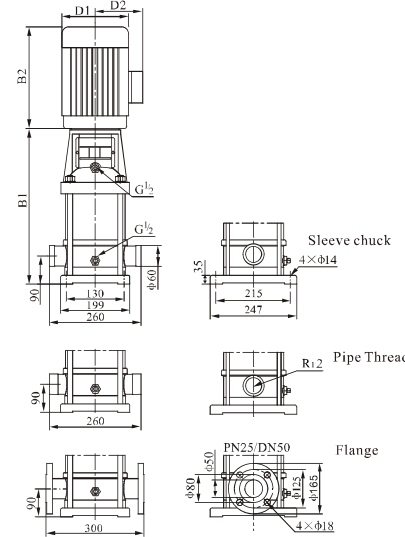
Model	Associated motor(kW)	Q (m³/h)	H (m)									
			8	10	12	14	16	18	20	22		
CDL16-20	2.2	H (m)	27	26	25	24	22	21	19	16		
CDL16-30	3.0		41	40	38	37	34	32	29	25		
CDL16-40	4.0		54	53	52	49	46	43	38	34		
CDL16-50	5.5		68	67	65	62	58	54	48	43		
CDL16-60	5.5		82	80	78	74	70	64	58	52		
CDL16-70	7.5		96	95	91	87	82	76	68	61		
CDL16-80	7.5		110	108	104	99	94	86	77	70		
CDL16-100	9.2		138	136	131	125	118	109	97	87		
CDL16-120	11		166	162	157	150	141	130	116	105		
CDL16-140	15		194	190	184	175	166	152	136	122		
CDL16-160	15		222	217	210	200	189	174	156	140		

Size and appearance of Single phase motors, explosion-proof motor are different, please contact our company.

Performance Curves



Installation drawing



Size & Weight

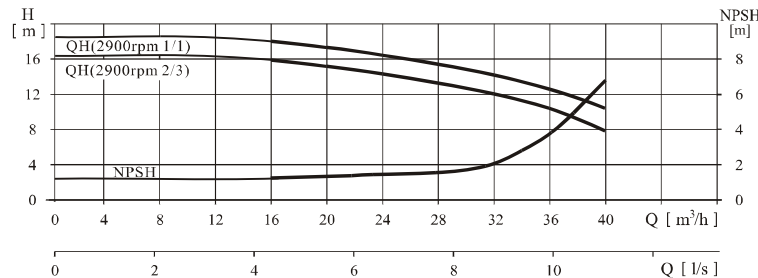
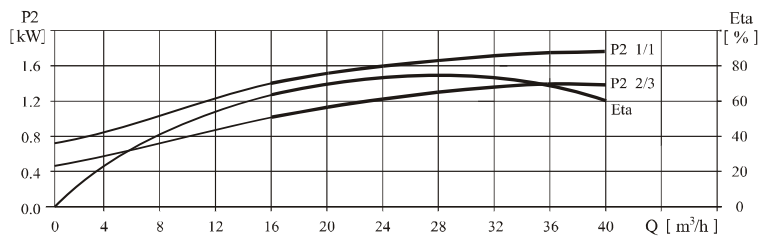
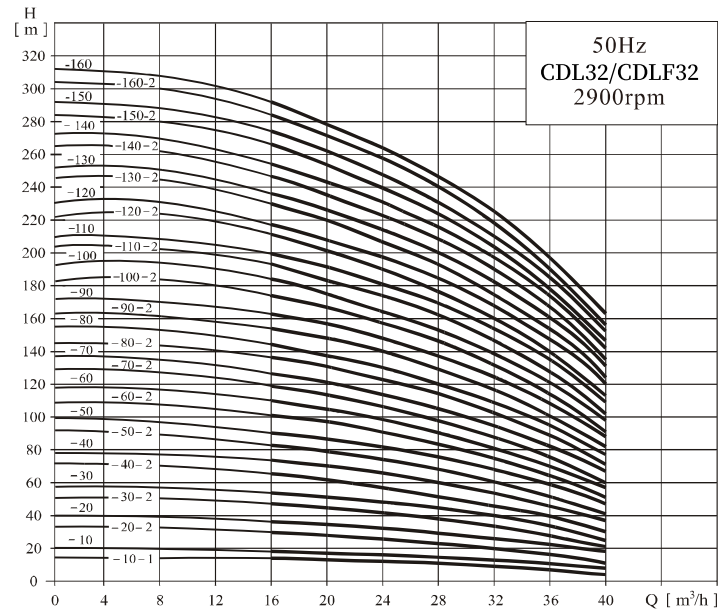
Model	Size (mm)				Weight (kg)
	B1	B2	B1+B2	D1 D2	
CDL20-10	387	245	632	170 142	33
CDL20-20	397	290	687	190 155	42
CDL20-30	452	355	807	230 188	58
CDL20-40	517	390	907	260 208	74
CDL20-50	562	390	952	260 208	76
CDL20-60	607	390	997	260 208	82
CDL20-70	652	390	1042	260 208	84
CDL20-80	697	390	1087	260 208	101
CDL20-100	875	500	1375	330 255	157
CDL20-120	965	500	1465	330 255	170
CDL20-140	1055	500	1555	330 255	172
CDL20-170	1190	550	1740	330 255	195

Performance table

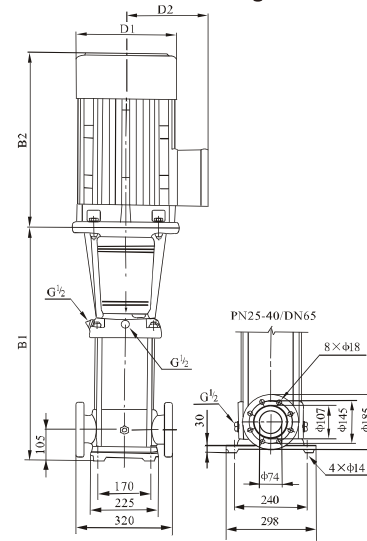
Model	Associated motor(kW)	Q (m³/h)	H (m)											
			10	12	14	16	18	20	22	24	26	28		
CDL20-10	1.1		13.5	13	12.5	12	11	10	9	8	7	6		
CDL20-20	2.2		27	26.5	26	25	24	23	22	20	18	15		
CDL20-30	4.0		40	39.5	39	38	37	35	33	30	27	24		
CDL20-40	5.5		54	53	52	51	49	47	44	41	37	33		
CDL20-50	5.5		67	66	64	62	60	58	55	50	45	40		
CDL20-60	7.5		81	79	77	75	73	70	66	61	55	49		
CDL20-70	7.5		95	93	91	89	86	82	77	71	65	58		
CDL20-80	9.2		109	107	105	102	99	94	89	82	75	67		
CDL20-100	11		136	134	131	128	124	118	111	103	95	85		
CDL20-120	15		164	162	158	154	149	142	133	124	114	102		
CDL20-140	15		192	189	185	180	174	166	156	145	133	119		
CDL20-170	18.5		234	230	225	219	212	202	190	177	162	145		

Size and appearance of Single phase motors, explosion-proof motor are different, please contact our company.

Performance Curves



Installation drawing



Size & Weight

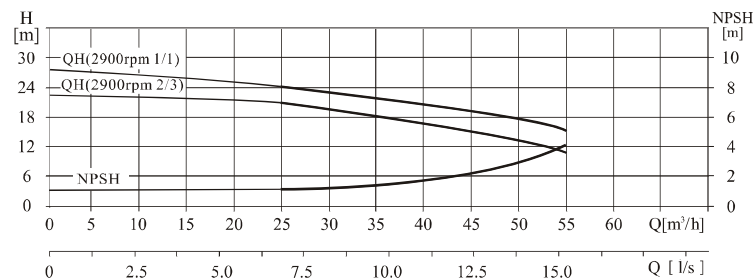
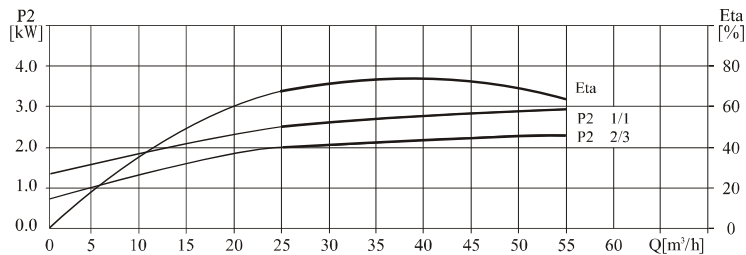
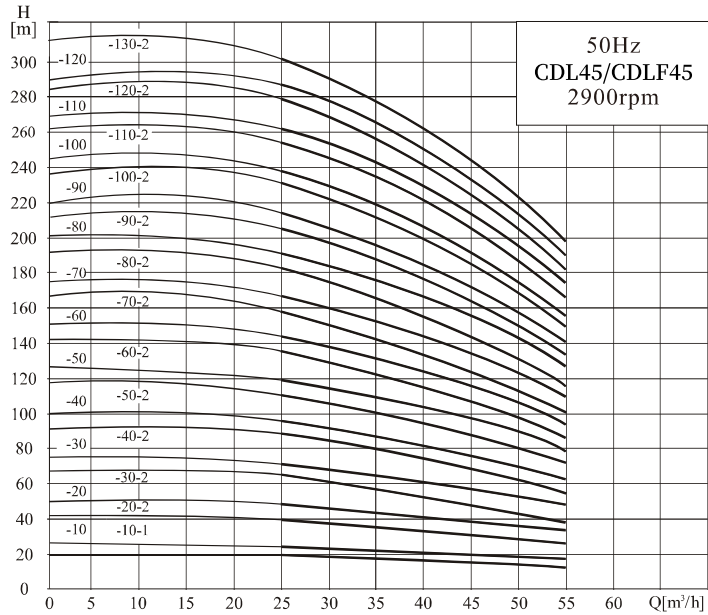
Model	Size (mm)					Weight (kg)
	B1	B2	B1+B2	D1	D2	
CDL32-10-1/CDL32-10	505	290	795	190	155	64/68
CDL32-20-2/CDL32-20	575	345/355	920/930	197/230	165/180	77/85
CDL32-30-2/CDL32-30	645	390	1035	260	208	100
CDL32-40-2/CDL32-40	715	390	1105	260	208	109
CDL32-50-2/CDL32-50	785	390	1175	260	208	125
CDL32-60-2/CDL32-60	960	500	1460	330	255	185
CDL32-70-2/CDL32-70	1030	500	1530	330	255	199
CDL32-80-2/CDL32-80	1100	500	1600	330	255	203
CDL32-90-2/CDL32-90	1170	550	1720	330	255	222
CDL32-100-2/CDL32-100	1240	550	1790	330	255	227
CDL32-110-2/CDL32-110	1310	575	1885	360	285	272
CDL32-120-2/CDL32-120	1380	575	1955	360	285	276
CDL32-130-2/CDL32-130	1450	575	2025	360	285	293
CDL32-140-2/CDL32-140	1520	575/650	2085/2170	360/400	285/310	298/341
CDL32-150-2/CDL32-150	1590	650	2240	400	310	345
CDL32-160-2/CDL32-160	1660	650	2310	400	310	350

Performance table

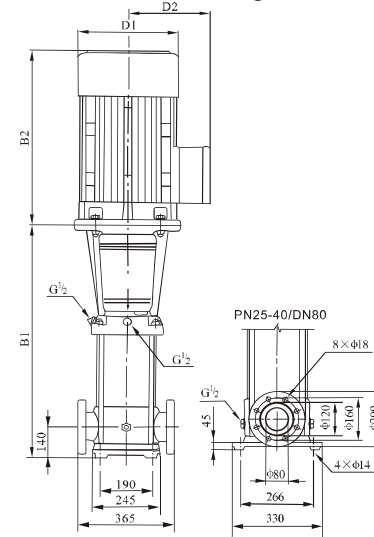
Model	Associated motor(kW)	Q (m³/h)	H (m)							Model	Associated motor(kW)	Q (m³/h)	H (m)						
			16	20	24	28	32	36	40				16	20	24	28	32	36	40
CDL32-10-1	1.5		14	13	12	11	9	7	4	CDL32-90-2	18.5		154	148	140	129	117	102	82
CDL32-10	2.2		18	17	15	14	13	11	8	CDL32-90	18.5		162	156	147	136	124	109	88
CDL32-20-2	3.0		29	28	26	23	20	16	11	CDL32-100-2	18.5		175	166	157	146	131	115	91
CDL32-20	4.0		36	34	32	29	27	23	18	CDL32-100	18.5		182	173	164	152	138	122	98
CDL32-30-2	5.5		47	44	41	38	33	28	21	CDL32-110-2	22		193	184	173	164	146	128	102
CDL32-30	5.5		54	51	48	44	40	35	27	CDL32-110	22		200	191	180	168	153	135	109
CDL32-40-2	7.5		65	62	58	53	46	40	30	CDL32-120-2	22		211	201	189	178	160	140	113
CDL32-40	7.5		72	69	65	59	53	47	37	CDL32-120	22		218	208	196	184	167	147	120
CDL32-50-2	9.2		83	79	74	68	60	52	41	CDL32-130-2	26		230	218	206	193	174	153	124
CDL32-50	9.2		90	86	81	74	67	59	47	CDL32-130	26		237	225	213	200	181	160	131
CDL32-60-2	11		101	97	90	83	74	65	51	CDL32-140-2	26		247	235	222	210	189	165	135
CDL32-60	11		108	104	97	90	81	72	57	CDL32-140	30		255	242	229	216	196	172	142
CDL32-70-2	15		119	114	107	98	88	78	60	CDL32-150-2	30		266	253	239	224	203	178	145
CDL32-70	15		126	121	113	105	95	85	67	CDL32-150	30		274	260	246	231	210	185	152
CDL32-80-2	15		136	131	123	114	102	90	71	CDL32-160-2	30		284	270	255	240	218	190	156
CDL32-80	15		144	138	130	120	109	97	77	CDL32-160	30		292	277	262	246	225	197	163

Size and appearance of Single phase motors, explosion-proof motor are different, please contact our company.

Performance Curves



Installation drawing



Size & Weight

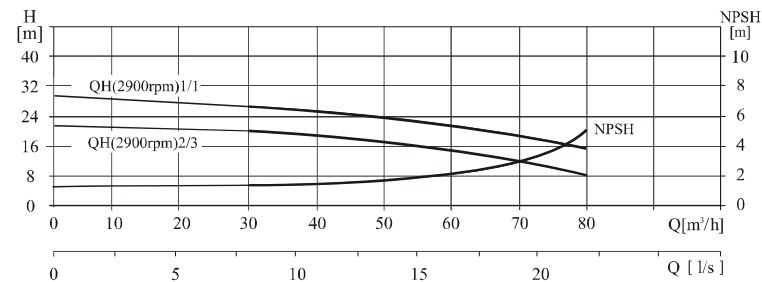
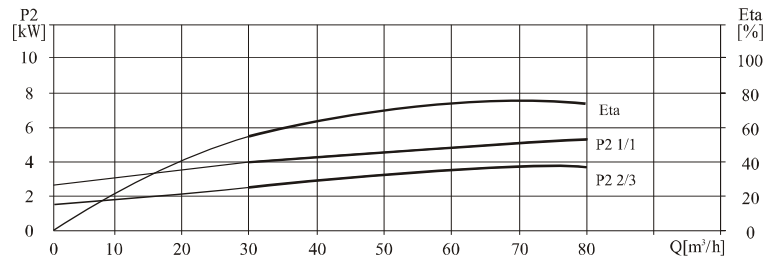
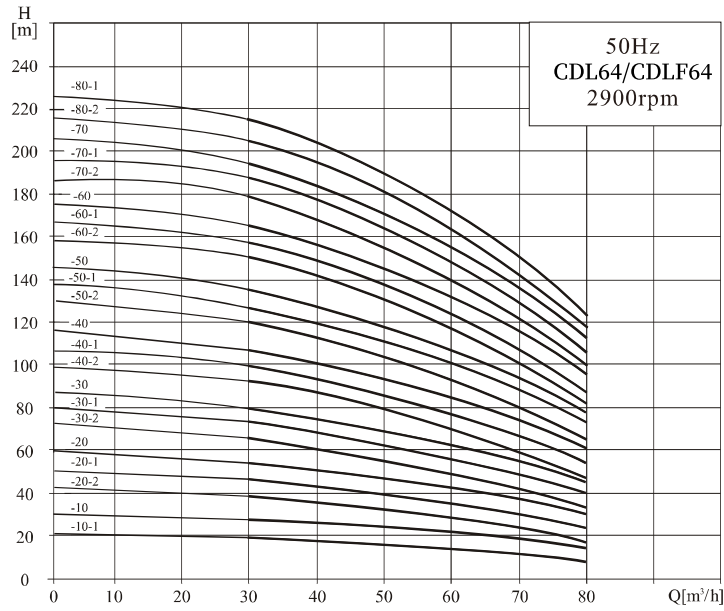
Model	Size (mm)					Weight(kg)
	B1	B2	B1+B2	D1	D2	
CDL45-10-1	561	345/355	906/916	197/230	165/188	83/90
CDL45-10						
CDL45-20-2	641	390	1031	260	208	105/110
CDL45-20						
CDL45-30-2	721/826	390/500	1111/1326	260/330	208/255	127/183
CDL45-30						
CDL45-40-2	906	500	1406	330	255	197
CDL45-40						
CDL45-50-2	986	550	1536	330	255	221
CDL45-50						
CDL45-60-2	1066	575	1641	360	285	261
CDL45-60						
CDL45-70-2	1146	575	1721	360	285	288
CDL45-70						
CDL45-80-2	1226	650	1876	400	310	324
CDL45-80						
CDL45-90-2	1306	650	1956	400	310	328/352
CDL45-90						
CDL45-100-2	1386	650	2036	400	310	355
CDL45-100						
CDL45-110-2	1466	685	2151	450	345	426
CDL45-110						
CDL45-120-2	1546	685	2231	450	345	432
CDL45-120						
CDL45-130-2	1626	685	2311	450	345	438

Performance table

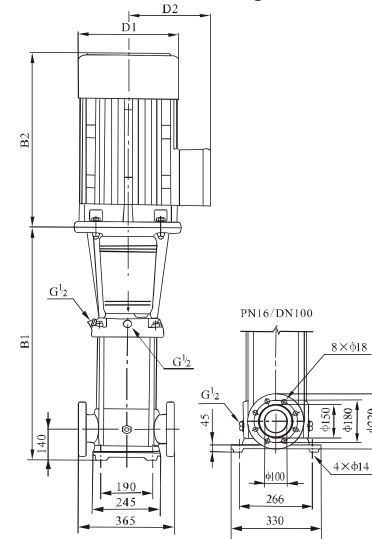
Model	Associated motor(kW)	Q (m³/h)	H (m)							
			25	30	35	40	45	50	55	
CDL45-10-1	3.0	20	19	18	17	15	13	11		
CDL45-10	4.0	24	23	22	21	19	18	16		
CDL45-20-2	5.5	40	38	36	33	30	27	23		
CDL45-20	7.5	48	46	44	42	39	35	31		
CDL45-30-2	9.2	63	61	58	54	50	44	38		
CDL45-30	11	71	69	66	63	58	53	47		
CDL45-40-2	15	87	84	80	75	69	62	54		
CDL45-40	15	95	92	88	84	78	71	62		
CDL45-50-2	18.5	111	107	102	96	88	80	69		
CDL45-50	18.5	119	115	110	105	97	88	78		
CDL45-60-2	22	135	130	124	117	108	97	85		
CDL45-60	22	143	138	132	125	116	106	93		
CDL45-70-2	26	158	152	146	138	127	115	100		
CDL45-70	26	166	161	154	146	135	124	109		
CDL45-80-2	30	182	175	168	159	146	133	116		
CDL45-80	30	190	184	176	167	154	141	124		
CDL45-90-2	30	205	198	190	180	166	150	132		
CDL45-90	37	214	207	198	188	174	159	140		
CDL45-100-2	37	230	221	212	200	185	168	147		
CDL45-100	37	238	230	220	209	193	177	155		
CDL45-110-2	45	255	246	236	223	206	188	165		
CDL45-110	45	263	255	244	232	214	196	173		
CDL45-120-2	45	280	270	259	245	226	206	181		
CDL45-120	45	289	280	268	255	236	216	190		
CDL45-130-2	45	305	294	282	267	247	225	198		

Size and appearance of Single phase motors, explosion-proof motor are different, please contact our company.

Performance Curves



Installation drawing



Size & Weight

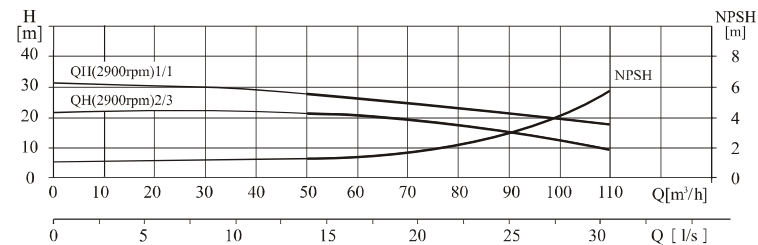
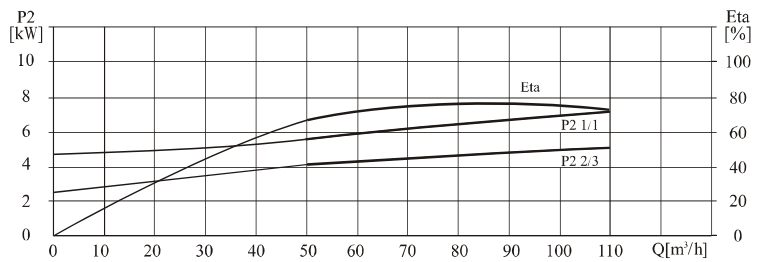
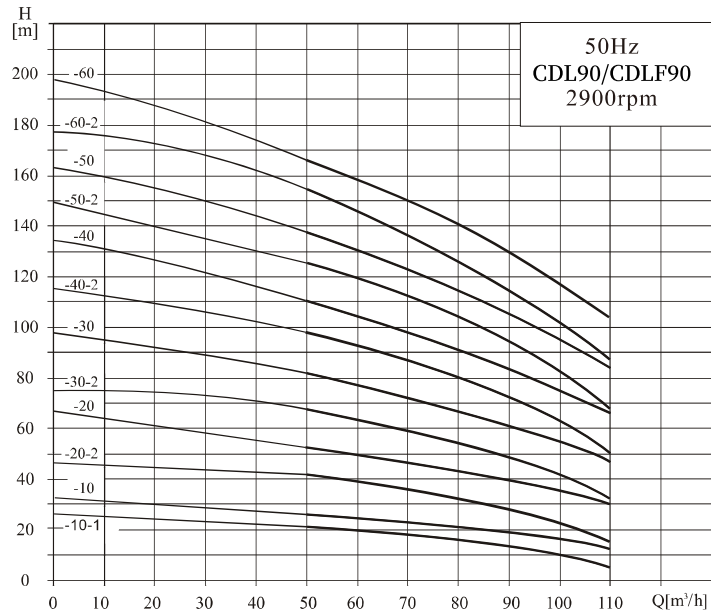
Model	Size (mm)					Weight(kg)
	B1	B2	B1+B2	D1	D2	
CDL64-10-1	561	355	916	230	188	93
CDL64-10	561	390	951	260	208	105
CDL64-20-2	644	390	1034	260	208	110
CDL64-20-1	754	500	1254	330	255	182
CDL64-20	754	500	1254	330	255	182
CDL64-30-2	836	500	1336	330	255	196
CDL64-30-1	836	500	1336	330	255	197
CDL64-30	836	550	1386	330	255	221
CDL64-40-2	919	550	1469	330	255	225
CDL64-40-1	919	575	1494	360	285	258
CDL64-40	919	575	1494	360	285	258
CDL64-50-2	1001	575	1576	360	285	276
CDL64-50-1	1001	575	1576	360	285	276
CDL64-50	1001	650	1651	400	310	320
CDL64-60-2	1084	650	1734	400	310	325
CDL64-60-1	1084	650	1734	400	310	349
CDL64-60	1084	650	1734	400	310	349
CDL64-70-2	1166	650	1816	400	310	353
CDL64-70-1	1166	650	1816	400	310	353
CDL64-70	1166	685	1851	460	340	420
CDL64-80-2	1248	685	1933	460	340	424
CDL64-80-1	1248	685	1933	460	340	424

Performance table

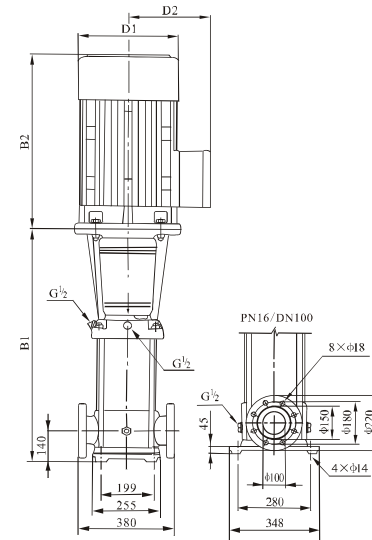
Model	Associated motor(kW)	Q (m³/h)	H (m)							
			30	40	50	60	64	70	80	
CDL64-10-1	4.0		19	18	16	14	13	11	8	
CDL64-10	5.5		27	25	23	21	20	18	15	
CDL64-20-2	7.5		39	36	33	29	27	23	17	
CDL64-20-1	11		46	44	40	36	34	30	24	
CDL64-20	11		53	51	47	43	41	37	30	
CDL64-30-2	15		66	62	56	50	47	41	32	
CDL64-30-1	15		73	69	63	57	54	48	39	
CDL64-30	18.5		80	76	70	64	61	55	46	
CDL64-40-2	18.5		92	87	80	71	67	60	47	
CDL64-40-1	22		100	94	87	78	74	67	54	
CDL64-40	22		107	101	94	85	81	74	61	
CDL64-50-2	26		121	114	105	95	89	80	64	
CDL64-50-1	26		128	121	112	102	96	87	71	
CDL64-50	30		136	129	119	109	103	94	78	
CDL64-60-2	30		150	142	131	118	111	101	81	
CDL64-60-1	37		157	149	138	125	118	108	88	
CDL64-60	37		164	156	145	132	125	115	95	
CDL64-70-2	37		179	169	156	141	133	121	99	
CDL64-70-1	37		186	176	163	148	141	128	106	
CDL64-70	45		193	183	170	155	148	135	112	
CDL64-80-2	45		207	196	182	164	156	142	116	
CDL64-80-1	45		215	203	189	171	163	149	123	

Size and appearance of Single phase motors, explosion-proof motor are different, please contact our company.

Performance Curves



Installation drawing



Size & Weight

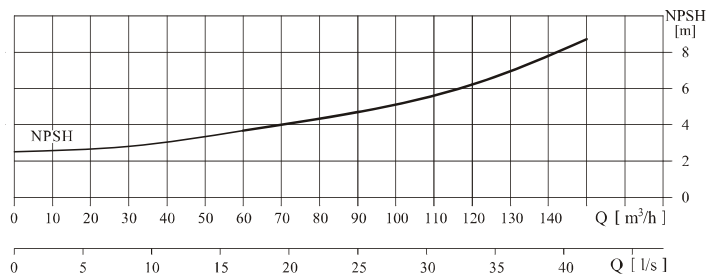
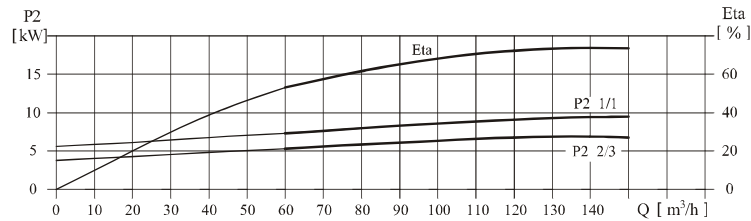
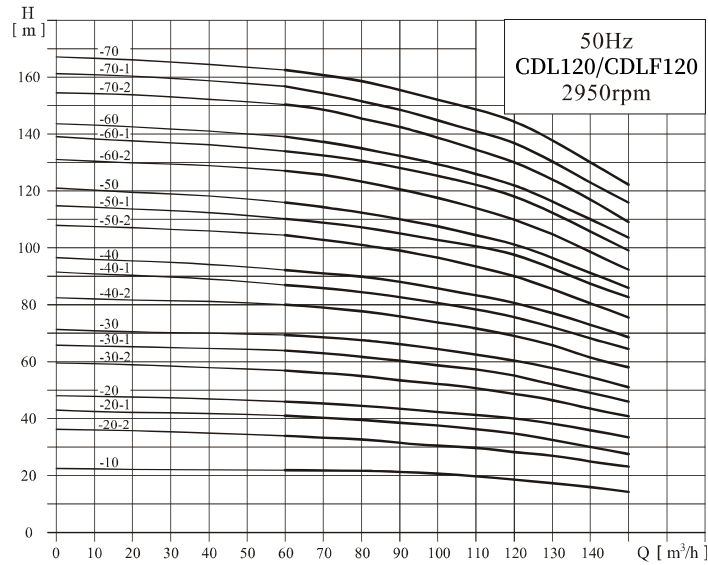
Model	Size (mm)					Weight (kg)
	B1	B2	B1+B2	D1	D2	
CDL90-10-1	571	390	961	260	208	105
CDL90-10	571	390	961	260	208	110
CDL90-20-2	773	500	1273	330	255	181
CDL90-20	773	500	1273	330	255	192
CDL90-30-2	865	550	1415	330	255	215
CDL90-30	865	575	1440	360	285	252
CDL90-40-2	957	575	1532	360	285	271
CDL90-40	957	650	1607	400	310	312
CDL90-50-2	1049	650	1699	400	310	336
CDL90-50	1049	650	1699	400	310	336
CDL90-60-2	1141	685	1826	460	340	407
CDL90-60	1141	685	1826	460	340	407

Performance table

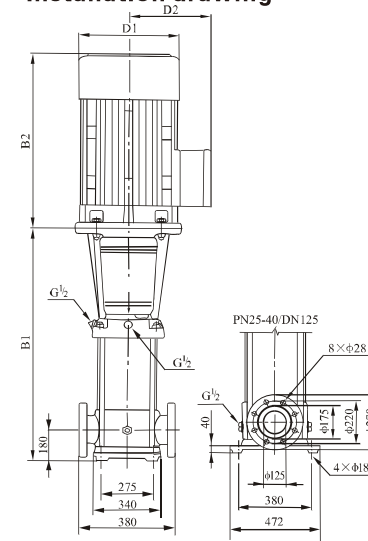
Model	Associated motor(kW)	Q (m³/h)	H (m)								
			50	60	70	80	90	100	110		
CDL90-10-1	5.5	H (m)	22	19	17	16	13	10	6		
CDL90-10	7.5		25	24	22	21	19	16	12		
CDL90-20-2	11		41	39	36	32	28	22	15		
CDL90-20	15		53	50	47	44	40	36	30		
CDL90-30-2	18.5		68	65	60	55	49	41	32		
CDL90-30	22		81	77	72	67	62	55	48		
CDL90-40-2	26		98	93	87	80	72	62	50		
CDL90-40	30		110	105	100	92	84	76	66		
CDL90-50-2	37		126	120	113	104	93	81	68		
CDL90-50	37		139	131	124	115	106	94	83		
CDL90-60-2	45	155	148	139	129	117	102	86			
CDL90-60	45	168	160	150	141	130	117	103			

Size and appearance of Single phase motors, explosion-proof motor are different, please contact our company.

Performance Curves



Installation drawing



Size & Weight

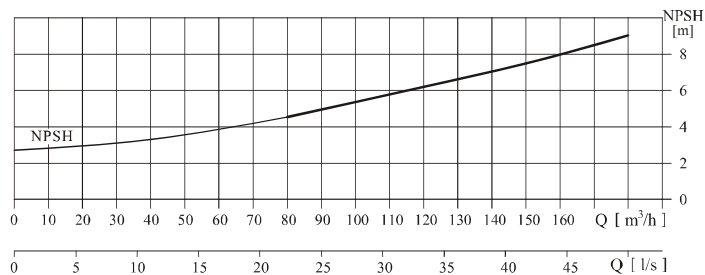
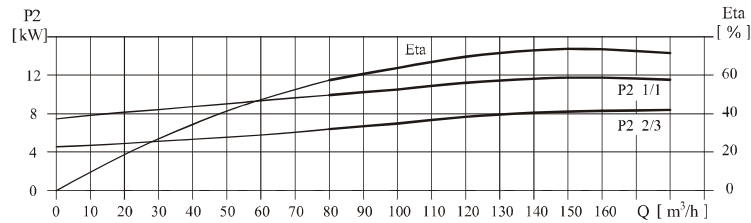
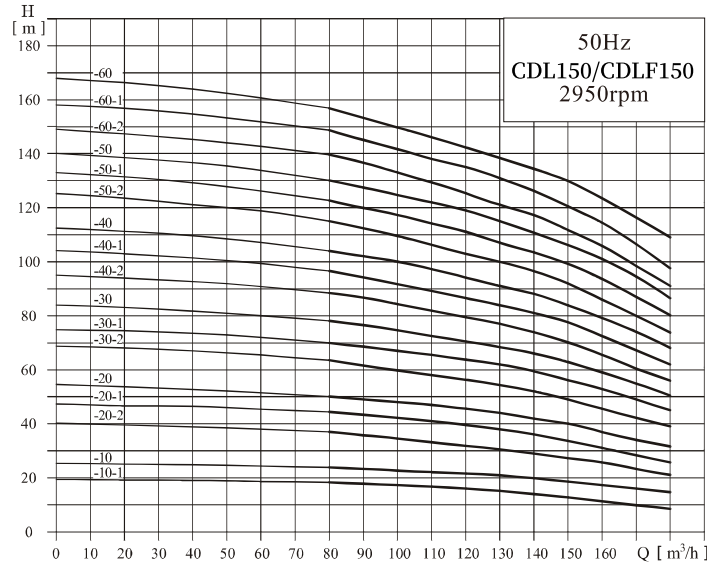
Model	Size (mm)					Weight(kg)
	B1	B2	B1+B2	D1	D2	
CDL120-10	840	500	1340	330	255	230
CDL120-20-2	1000	500	1500	330	255	245
CDL120-20-1	1000	550	1550	330	255	250
CDL120-20	1000	575	1575	360	285	285
CDL120-30-2	1160	575	1735	360	285	326
CDL120-30-1	1160	650	1810	400	310	360
CDL120-30	1160	650	1810	400	310	360
CDL120-40-2	1320	650	1970	400	310	400
CDL120-40-1	1320	650	1970	400	310	400
CDL120-40	1320	685	2005	460	340	460
CDL120-50-2	1480	685	2165	460	340	470
CDL120-50-1	1480	685	2165	460	340	470
CDL120-50	1510	760	2270	540	370	575
CDL120-60-2	1670	760	2430	540	370	585
CDL120-60-1	1670	760	2430	540	370	585
CDL120-60	1830	845	2515	580	410	705
CDL120-70-2	1830	845	2675	580	410	715
CDL120-70-1	1830	845	2675	580	410	715
CDL120-70	1830	845	2675	580	410	715

Performance table

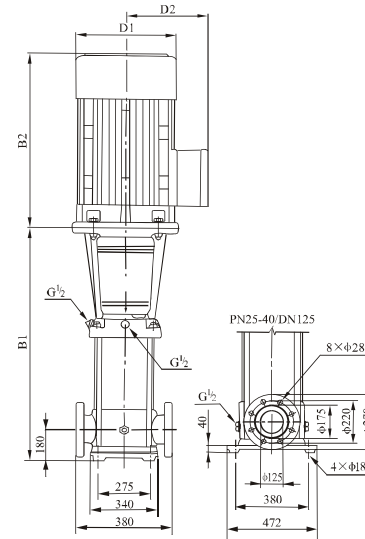
Model	Associated motor(kW)	Q (m³/h)	H (m)																	
			60	70	80	90	100	110	120	130	140	150								
CDL120-10	11		22	21.8	21.6	21	20.5	19.5	18.5	17	16	15								
CDL120-20-2	15		34	33.6	33	31	30.2	30	28.5	27	25	24								
CDL120-20-1	18.5		41	40	39.5	38.5	37	36.5	34.5	32.5	30	27.5								
CDL120-20	22		46	45	44.5	43.5	42.4	41	40	38	36	33.5								
CDL120-30-2	26		57	56	55	53.5	52	51	49	46.5	43.5	41								
CDL120-30-1	30		64	63	62	60	58.5	57.5	55.5	52	49	46								
CDL120-30	30		69.5	68.5	67.5	66	64.4	62.5	61	57.5	54.5	51								
CDL120-40-2	37		80.5	79	78	76	73.5	72	69	66	61.5	58								
CDL120-40-1	37		87	86	84.5	82	80	78	76	72	68	64.5								
CDL120-40	45		92.5	91	90	88	85.5	83	81	77	73	68.5								
CDL120-50-2	45		104.5	103	101	99	96	93	90	85.5	80.5	75.5								
CDL120-50-1	45		110.5	109	107.5	105	102	100	97	92	86.5	83								
CDL120-50	55		115.5	114	113	110	107.5	104.5	101.5	96	91	86								
CDL120-60-2	55		128	125.5	123	121	117.3	113.5	110	104.5	98.5	92.5								
CDL120-60-1	55		134	132	130.5	127	124	121	118	111	105	100								
CDL120-60	75		139	137	135	132	128.8	126	123	116	110	104								
CDL120-70-2	75		151	148	145.5	143	138.6	134	130	123.5	116.5	109								
CDL120-70-1	75		156.5	154	152	148.5	144.5	141	137.5	130	123	116.5								
CDL120-70	75		162.5	160.5	158.5	155	151	148	145	137	129	123								

Size and appearance of Single phase motors, explosion-proof motor are different, please contact our company.

Performance Curves



Installation drawing



Size & Weight

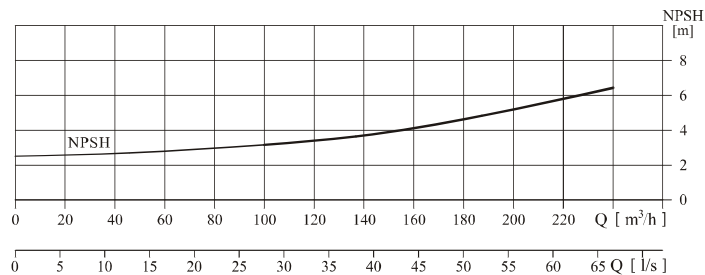
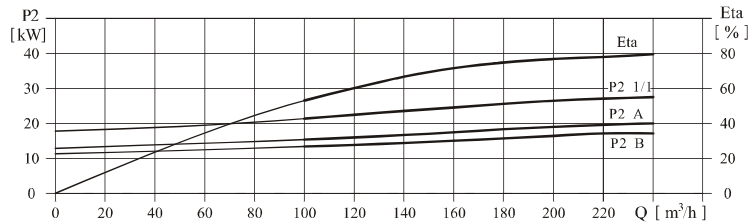
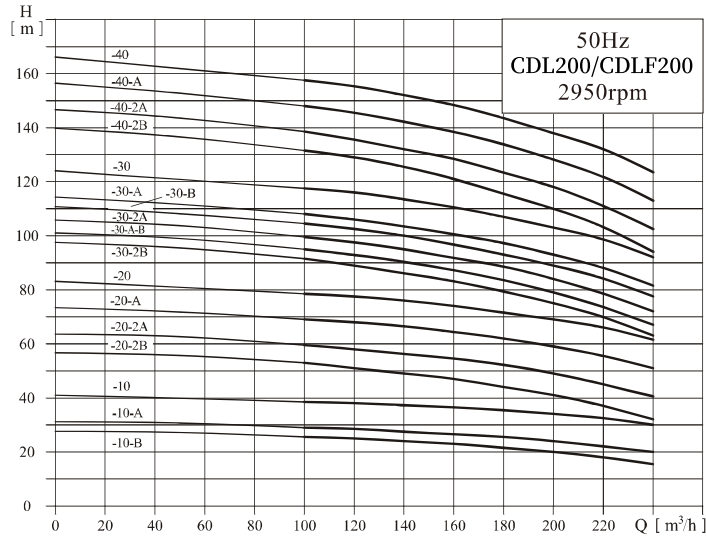
Model	Size (mm)					Weight (kg)
	B1	B2	B1+B2	D1	D2	
CDL150-10-1	840	500	1340	330	255	230
CDL150-10	840	500	1340	330	255	235
CDL150-20-2	1000	550	1550	330	255	250
CDL150-20-1	1000	575	1575	360	285	295
CDL150-20	1000	575	1575	360	285	317
CDL150-30-2	1160	650	1810	400	310	360
CDL150-30-1	1160	650	1810	400	310	360
CDL150-30	1160	650	1810	400	310	385
CDL150-40-2	1320	685	2005	460	340	460
CDL150-40-1	1320	685	2005	460	340	460
CDL150-40	1350	760	2110	540	370	560
CDL150-50-2	1510	760	2270	540	370	570
CDL150-50-1	1510	845	2355	580	410	690
CDL150-50	1510	845	2355	580	410	690
CDL150-60-2	1670	845	2515	580	410	700
CDL150-60-1	1670	845	2515	580	410	700
CDL150-60	1670	845	2515	580	410	700

Performance table

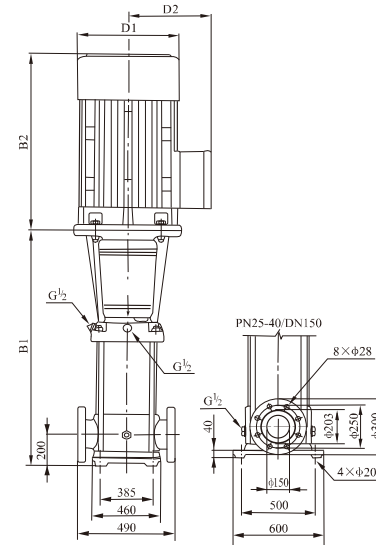
Model	Associated motor(kW)	Q (m³/h)	H (m)																	
			80	90	100	110	120	130	140	150	160	170	180							
CDL150-10-1	11		18.3	17.8	17.3	17	16	15	14	12.5	11	10	8.5							
CDL150-10	15		24	23	22.5	22	21.5	20.5	20	18.5	17	16	15							
CDL150-20-2	18.5		37	35.5	34	33	32	31	29	27.5	26	23	21							
CDL150-20-1	22		44.3	43	42	40	39	38.5	37.5	35	33	30	27							
CDL150-20	26		50	49	48	47	45.5	44	42	40	37	34	32							
CDL150-30-2	30		63.5	61	59	57.5	56	54.5	53	49	45.5	42	39							
CDL150-30-1	37		70	68	67	65	63	62	60	56	53	49	45							
CDL150-30	37		78	76.5	75	73	70.5	68	66	63	59	55	50.5							
CDL150-40-2	45		89	87	84	81.5	79	77	74.5	70.5	65.5	60	56							
CDL150-40-1	45		96.5	94	91.5	89	86.5	84	81.5	77	72.5	67	62							
CDL150-40	55		104	102	100	97	95	91	88	84	79.5	74	68							
CDL150-50-2	55		115.5	112	109	106	102.5	100	97	92	86	79	73.5							
CDL150-50-1	75		122.5	119.5	117	113.5	111.5	107.5	104.5	99	93.5	87	80							
CDL150-50	75		130	127.5	125	121	119	115	111.5	106.5	101	94.5	86.5							
CDL150-60-2	75		140	137	133	130	126	121	118	112	106	98	91							
CDL150-60-1	75		148.5	145	141.7	137.5	135	131	127	120.5	114.5	106.5	97.5							
CDL150-60	75		157	153	149	145	142	139.5	137	130	123.5	116	109							

Size and appearance of Single phase motors, explosion-proof motor are different, please contact our company.

Performance Curves



Installation drawing



Size & Weight

Model	Size (mm)					Weight(kg)
	B1	B2	B1+B2	D1	D2	
CDL200-10-B	907	550	1457	330	255	311
CDL200-10-A	907	575	1482	360	285	347
CDL200-10	907	650	1557	400	310	403
CDL200-20-2B	1101	650	1751	400	310	447
CDL200-20-2A	1101	685	1786	460	340	504
CDL200-20-A	1131	760	1891	540	370	595
CDL200-20	1131	760	1891	540	370	595
CDL200-30-2B	1325	845	2170	580	410	748
CDL200-30-A-B	1325	845	2170	580	410	748
CDL200-30-2A	1325	845	2170	580	410	748
CDL200-30-B	1325	845	2170	580	410	748
CDL200-30-A	1325	845	2170	580	410	748
CDL200-30	1325	895	2220	580	410	817
CDL200-40-2B	1519	895	2414	580	410	830
CDL200-40-2A	1519	1140	2659	645	550	1180
CDL200-40-A	1519	1140	2659	645	550	1180
CDL200-40	1519	1140	2659	645	550	1180

Performance table

Model	Associated motor(kW)	Q (m³/h)	H (m)								
			100	120	140	160	180	200	220	240	
CDL200-10-B	18.5		25.5	25	24	23	21.5	20	18	15.5	
CDL200-10-A	22		29	28.5	27.5	26.5	25.5	24	22	20	
CDL200-10	30		38.5	38	37.5	36.5	35	34	32.5	30	
CDL200-20-2B	37		53	51	49	47	44	41	37	32	
CDL200-20-2A	45		59.5	58	56	54	52.5	49	44.5	40.5	
CDL200-20-A	55		69	68	66	64	62	59	55.5	51	
CDL200-20	55		78.5	77.5	76	74	71.5	69	66	61.5	
CDL200-30-2B	75		91.5	89	86.5	83.5	79	75	70	63	
CDL200-30-A-B	75		95	93	90	87	83.5	79	73.5	67	
CDL200-30-2A	75		99.5	97.5	94.5	91.5	89	84	78.5	72	
CDL200-30-B	75		104.5	102.5	100	97	93	89	84.5	77.5	
CDL200-30-A	75		108	106	103.5	100.5	97.5	93	88	81.5	
CDL200-30	90		117.5	116	113.5	110.5	107	103	99	92	
CDL200-40-2B	90		131.5	129	125.5	121	115.5	110	103.5	94	
CDL200-40-2A	110		138.5	136	132	128	124	118	111	102.5	
CDL200-40-A	110		148	145.5	142.5	138	134	128	122	113	
CDL200-40	110		157.5	155.5	152.5	148	143.5	138	132.5	123.5	

Size and appearance of Single phase motors, explosion-proof motor are different, please contact our company.